

*Manufacturers of Process
Controls and Instrumentation*

Instruction Manual

Model: *232/485COM*

Function: *RS-232 to RS-485 Interface
Optically Isolated, Buffered, Filtered*

Input: ■ RS-232

Output: ■ RS-485

Power: ■ 24 VDC (RS-485 side)
■ 10 VDC (RS 232 side)

Serial #: _____

(If special or required)

For Technical Assistance And Questions Call
USA: (734) 677-0459 CANADA: (905) 660-5336

Restocking Policy

All product returned to Pribusin Inc. in prime condition (not damaged, scratched or defaced in any way) within seven (7) months from the original date of shipment is subject to a 50% restocking charge. All product must be accompanied by a Return Authorization number (RA number) which must be obtained from Pribusin Inc. prior to returning any product.

After seven (7) months from the original date of shipment, products cannot be returned for restocking.

Custom designed products, modified products or all non-standard products may not be returned for restocking.

Warranty Policy

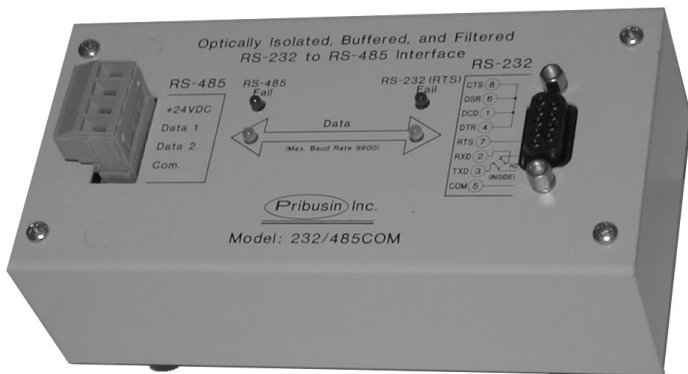
Pribusin Inc. warrants equipment of its own manufacture to be free from defects in material and workmanship, under normal conditions of use and service, and will replace any component found to be defective, on its return to Pribusin Inc., transportation charges prepaid, within one year of its original purchase. Pribusin Inc. will extend the same warranty protection on equipment, peripherals and accessories which is extended to Pribusin Inc. by the original manufacturer. Pribusin Inc. also assumes noliability, expressed or implied, beyond its obligation to prelace any component involved. Such warranty is in lieu of all other warranties, expressed or implied.

Pribusin Inc.

Manufacturers of Process
Controls and Instrumentation

Model: 232/485COM

RS-232 to RS-485 Isolated Converter/Buffer



Standard Features:

- Small Sized Desktop Package
- Optically Isolates RS-485 bus from RS-232 bus
- No Additional Power Supply Required
- Transmission Speeds up to 9600 BAUD
- No Calibration or Setup Required
- Microprocessor Controlled for High Accuracy
- Adjustable Echo Filtering for Long RS-485 busses
- High Noise Rejection
- CSA and NRTL Approved (LR51078)

Function:

The 232/485COM Isolated Converter/Buffer converts RS-485 multi-drop signals to PC standard RS-232 signals. These can then be fed into a PC's existing COM ports.

The 232/485COM provides electrical isolation between an incoming RS-485 bus from the field and the host PC's RS-232 port. This helps to prevent power spikes or surges from entering the PC's delicate internal bus structures. Such power surges or spikes could lock-up the PC or may even cause internal damage.

In addition, the 232/485COM can provide echo filtering in the case of a long RS-485 bus in the field. In some cases a long RS-485 bus that has several impedance mismatches can create echos that could scramble the messages sent to and from the host PC. By buffering data and delaying it slightly before sending it on the 232/485COM can help reduce problems associated with echos.

Connection:

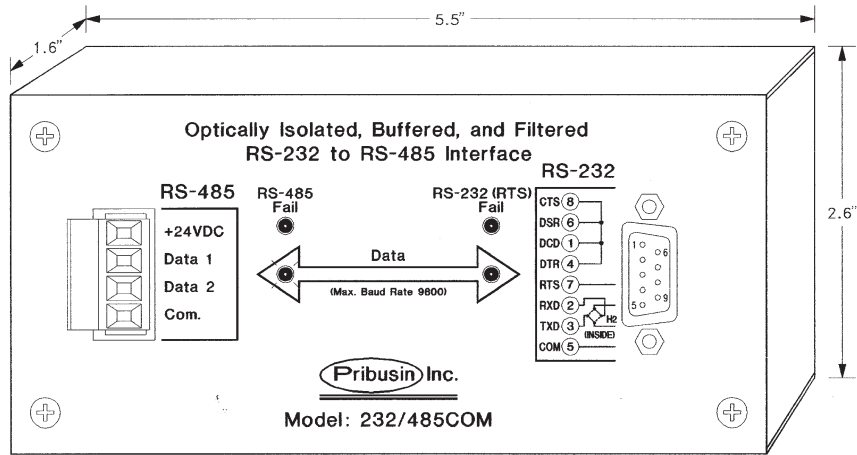
The 232/485COM uses a standard 9-pin miniature Dsub connector to connect to the RS-232 port of the host PC. The RS-485 connects with Pribusin's standard 4-pin plug-in connector.

Specifications:

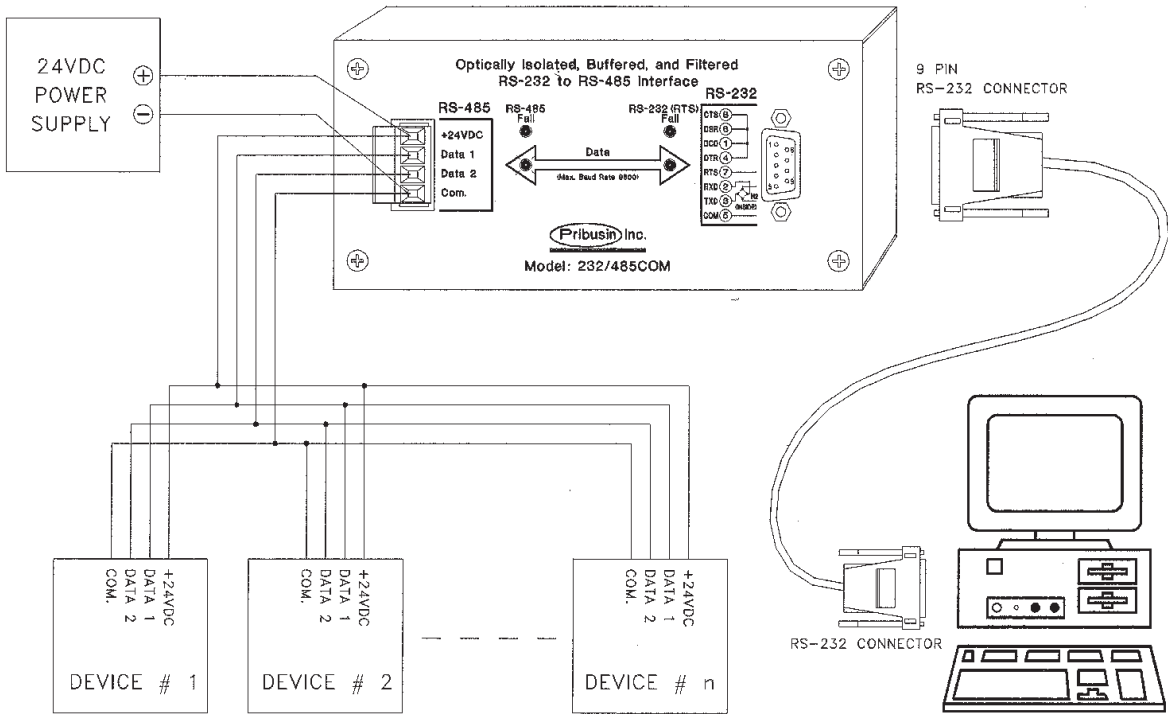
- Conversion: RS-232 / RS-485 (bi-directional)
- Transmission Speed: UP to 9600 BAUD
- Isolation: Optical, 1500VAC test
- Operating Temperature: -40 Deg.C. to +50 Deg.C.
- Power: 24VDC, 100mA (RS-485 side)
10VDC, 20mA (RS-232 side)
- Enclosure: Metal Desktop Enclosure w/ Rubber Feet

232/485COM

Enclosures & Dimensions:



Connection:



Manufactured By:

Pribusin Inc.

www.pribusin.com
info@pribusin.com

USA:

Pribusin Inc.
743 Marquette Ave.
Muskegon, MI 49442
Ph: (231) 788-2900
Fx: (231) 788-2929



CANADA:

Pribusin Inc.
101 Freshway Dr. Unit 57
Concord, Ontario, L4K 1R9
Ph: (905) 660-5336
Fx: (905) 660-4068