



*Manufacturers of Process
Controls and Instrumentation*

Instruction Manual

Model: *MPS-XXX-YYV/ZA-SNE*

Function: *Universal Power Supply*

Input: 117VAC,50/60Hz
 230VAC,50/60Hz

Output: 12V/10A: 12 VDC @ 10 Amps
 24V/5A: 24 VDC @ 5 Amps
 24V/6A: 24 VDC @ 6 Amps
 28V/5A: 28 VDC @ 5 Amps

Serial #: _____

(If special or required)

For Technical Assistance And Questions Call
USA: (231) 788-2900 CANADA: (905) 660-5336

Restocking Policy

All product returned to Pribusin Inc. in prime condition (not damaged, scratched or defaced in any way) within seven (7) months from the original date of shipment is subject to a 50% restocking charge. All product must be accompanied by a Return Authorization number (RA number) which must be obtained from Pribusin Inc. prior to returning any product.

After seven (7) months from the original date of shipment, products cannot be returned for restocking.

Custom designed products, modified products or all non-standard products may not be returned for restocking.

Warranty Policy

Pribusin Inc. warrants equipment of its own manufacture to be free from defects in material and workmanship, under normal conditions of use and service, and will replace any component found to be defective, on its return to Pribusin Inc., transportation charges prepaid, within one year of its original purchase. Pribusin Inc. will extend the same warranty protection on equipment, peripherals and accessories which is extended to Pribusin Inc. by the original manufacturer. Pribusin Inc. also assumes noliability, expressed or implied, beyond its obligation to prelace any component involved. Such warranty is in lieu of all other warranties, expressed or implied.

Universal Power Supply



Standard Features:

- Standard 117 VAC Line Power
- Other Primary Power Inputs Available
- Industry Standard Output Voltages (see back)
- Several Current Ratings
- Special Output Voltage/Current Ratings Available
- High Efficiency HexFET Switching Power Supply Technology
- Current Limit Protection
- Overvoltage Protection
- Thermal Shutdown Protection
- CSA and NRTL Approval Pending

Function:

The MPS series power supplies are reliable, efficient power supplies that can be used in general purpose power supply applications. Primary power input can be 117VAC, 240VAC or any DC voltage between 12 and 90 VDC. The rugged design provides excellent power characteristics right up to the rated maximum load. Three way protection ensures that the power supply has a long service life.

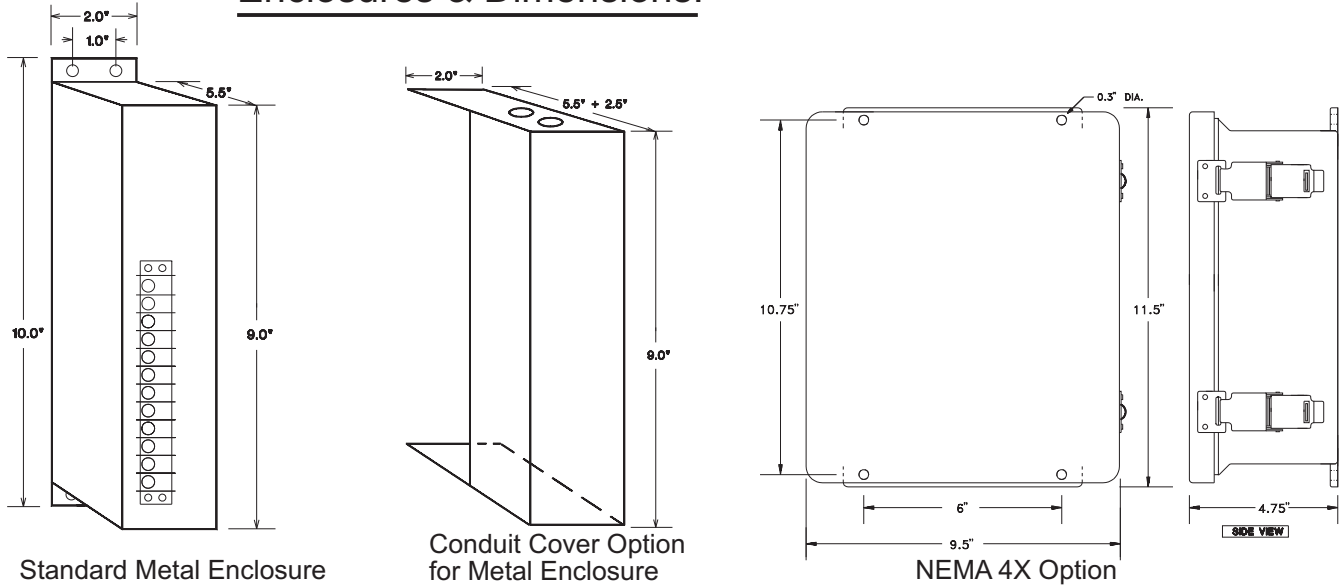
- 1) Current limiting at 130% of rated output current protects the power supply from damage due to excess current drain
- 2) A crowbar circuit protects the power supply from overvoltage by shutting down the primary switching logic. To restore operation, the input to the supply must be turned off for a length of time to allow the main filter capacitor to discharge.
- 3) Thermal shutdown protection protects the output diodes and the switching transistor from overheating. The power supply will shut down and automatically restart once these devices have cooled down again.

Specifications:

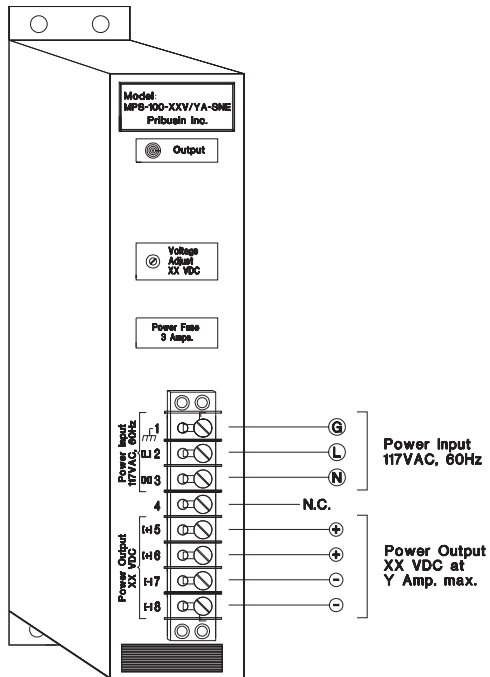
- Power Input: 117 VAC 60 Hz, standard
- Operating Temperature: -40 Deg.C. to +50 Deg.C.
- Output Ripple: Less than 70 mV
- Regulation: +/-1% for 0-100% Load

MPS-XXX-YYV/ZA-SNE

Enclosures & Dimensions:



Connection:



Model Designation:

MPS-XXX-YYV/ZA-SNE

Input

117: 117VAC
240: 240VAC
0xx: xx= 12 to 90VDC

Other Ranges Available

Output

12V/10A: 12 VDC @ 10 Amps
24V/6A: 24 VDC @ 6 Amps
28V/5A: 28 VDC @ 5 Amps

Other Ranges Available

Example: Power supply with 117VAC line power and output of 24 VDC @ 6 A is designated by MPS-117-24V/6A-SNE

If no options specified, unit is in metal enclosure

Options: (Add letters to end of Model Number)

C - Conduit Cover for Metal Enclosure (see above)
N - NEMA 4X enclosure (see above)

Manufactured By:

Pribusin Inc.

www.pribusin.com
info@pribusin.com

USA:

Pribusin Inc.
743 Marquette Ave.
Muskegon, MI 49442
Ph: (231) 788-2900
Fx: (231) 788-2929



CANADA:

Pribusin Inc.
101 Freshway Dr. Unit 57
Concord, Ontario, L4K 1R9
Ph: (905) 660-5336
Fx: (905) 660-4068