



*Manufacturers of Process
Controls and Instrumentation*

Instruction Manual

Model: *NTC-X9-HFX*

Function: *Non-Isolated High Frequency Transmitter*

Input: X=1: 1-5 mA X=4: 10-50 mA
 X=2: 4-20 mA X=5: 1-5 VDC
 X=3: 0-1 mA X=6: 0-10 VDC
 X=7: _____

Output: X=1: 0-1 KHz X=4: 0-10 KHz
 X=2: 0-2 KHz X=5: 0-50 KHz
 X=3: 0-5 KHz X=6: 0-100 KHz
 X=7: _____

Power: 24 VDC, 100 mA

Serial #: _____
(If special or required)

For Technical Assistance And Questions Call
USA: (231) 788-2900 CANADA: (905) 660-5336

Restocking Policy

All product returned to Pribusin Inc. in prime condition (not damaged, scratched or defaced in any way) within seven (7) months from the original date of shipment is subject to a 50% restocking charge. All product must be accompanied by a Return Authorization number (RA number) which must be obtained from Pribusin Inc. prior to returning any product.

After seven (7) months from the original date of shipment, products cannot be returned for restocking.

Custom designed products, modified products or all non-standard products may not be returned for restocking.

Warranty Policy

Pribusin Inc. warrants equipment of its own manufacture to be free from defects in material and workmanship, under normal conditions of use and service, and will replace any component found to be defective, on its return to Pribusin Inc., transportation charges prepaid, within one year of its original purchase. Pribusin Inc. will extend the same warranty protection on equipment, peripherals and accessories which is extended to Pribusin Inc. by the original manufacturer. Pribusin Inc. also assumes noliability, expressed or implied, beyond its obligation to prelace any component involved. Such warranty is in lieu of all other warranties, expressed or implied.



Standard Features:

- DIN-Rail Mount (small size)
- Industry Standard Inputs: 4-20 mA, 1-5 VDC, and more (see back)
- Easily Adjustable Output Frequency
- 24VDC Square Wave Output
- Two Wire Supply for Two Wire Transmitters
- Power: 24 VDC
- High Noise Rejection

Function:

The NTC-X9-HFX is a high frequency transmitter. It has one analog input and a square wave output. The output frequency is adjustable from 0-1KHz to 0-100KHz for 0-100% of input signal. The output frequency is linear with respect to the input signal.

Calibration:

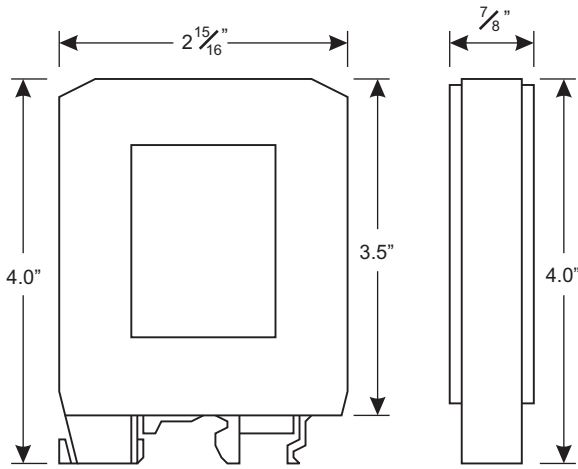
The unit comes factory pre-calibrated. Re-calibration is possible using the input zero & span potentiometers. This allows the unit to be calibrated for specific frequency ranges.

Specifications:

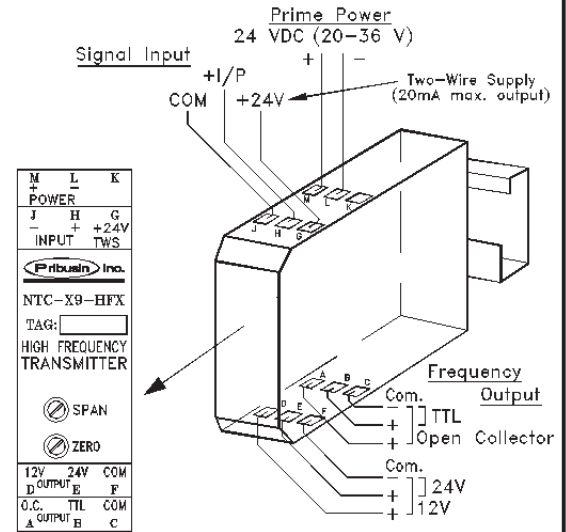
Accuracy/Linearity: +/- 0.3% max., +/- 0.1% typ.
Operating Temperature: -40 Deg.C. to +50 Deg.C.
Temperature Effects: +/-0.5% max., +/-0.2% typ.
(for 40 Deg.C. change)

NTC-X9-HFX

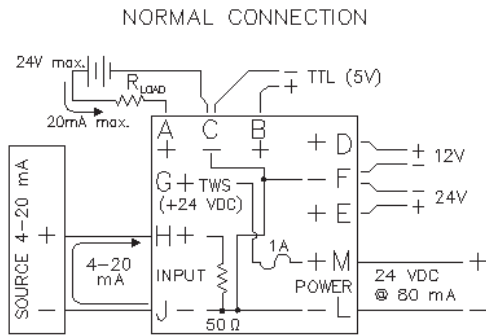
Dimensions:



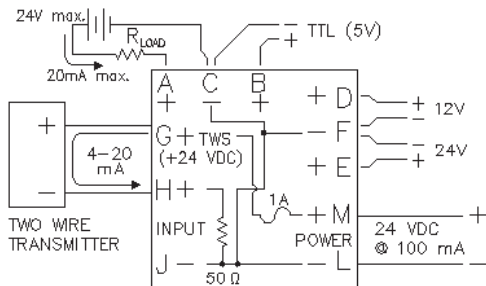
Connection:



Connection:



TWO WIRE INPUT CONNECTION



Model Designation:

NTC-X9-HFX

Input

Frequency Output

- 1: 1-5 mA (Zin=1K Ohm)
- 2: 4-20 mA (Zin=250 Ohm)
- 3: 0-1mA (Zin=5K Ohm)
- 4: 10-50 mA (Zin=100 Ohm)
- 5: 1-5 VDC (Zin=1Meg Ohm)
- 6: 0-10 VDC (Zin=1Meg Ohm)
- 7: Special Input

- 1: 0-1KHz
- 2: 0-2KHz
- 3: 0-5KHz
- 4: 0-10KHz
- 5: 0-50KHz
- 6: 0-100KHz
- 7: Special Frequency

Example: Frequency Transmitter with 4-20 mA Input and 2KHz output is designated by: NTC-29-HF2

Options: (Add letters to end of Model Number)

None available at this time

Manufactured By:

Pribusin Inc.

www.pribusin.com
info@pribusin.com

USA:

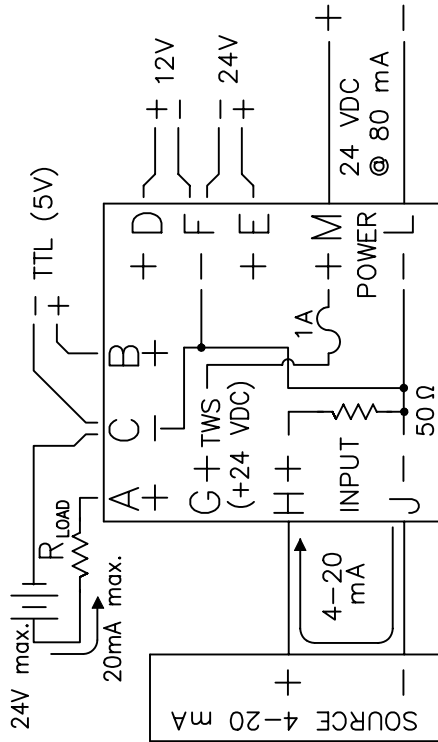
Pribusin Inc.
743 Marquette Ave.
Muskegon, MI 49442
Ph: (231) 788-2900
Fx: (231) 788-2929



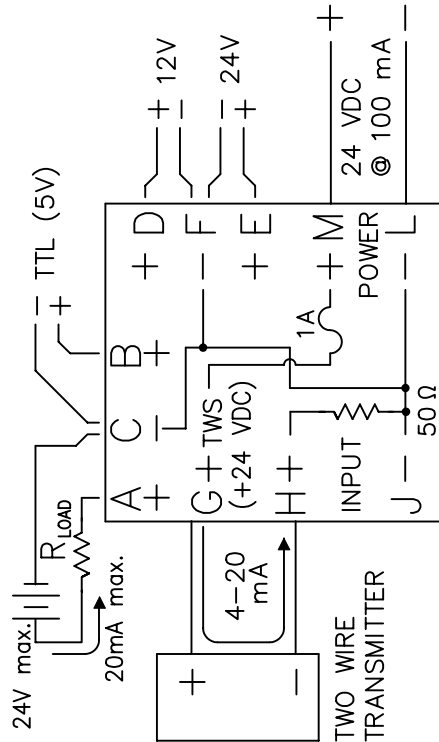
CANADA:

Pribusin Inc.
101 Freshway Dr. Unit 57
Concord, Ontario, L4K 1R9
Ph: (905) 660-5336
Fx: (905) 660-4068

NORMAL CONNECTION



TWO WIRE INPUT CONNECTION

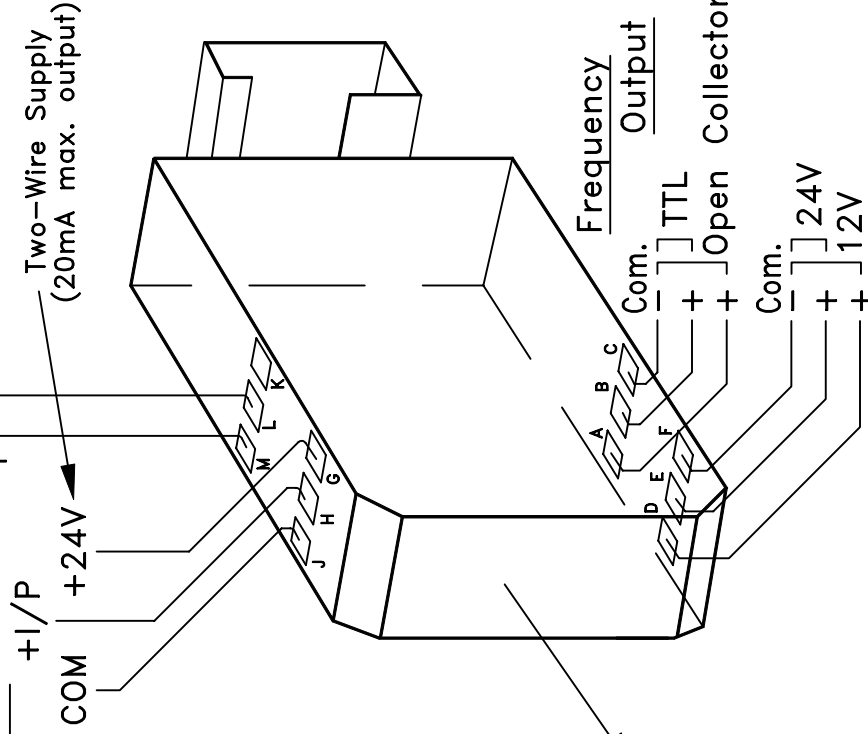


Notes:

1. For Details of Terminal Block Enclosure/Din Rail See Dwg. 104385.

Prime Power
24 VDC (20-36 V)

Signal Input



Note: All voltage outputs source 10mA max., open collector sinks 20mA max.

M	+	POWER	K
L	-	INPUT	G
H	+	+24V	TWS
J	-	INPUT	TWS
Pribusin Inc.			
NTC-X9-HFX			
TAG: _____			
HIGH FREQUENCY TRANSMITTER			
SPAN ZERO			
12V	24V	COM	F
D	OUTPUT	E	F
O.C.	TTL	COM	F
A	OUTPUT	B	C

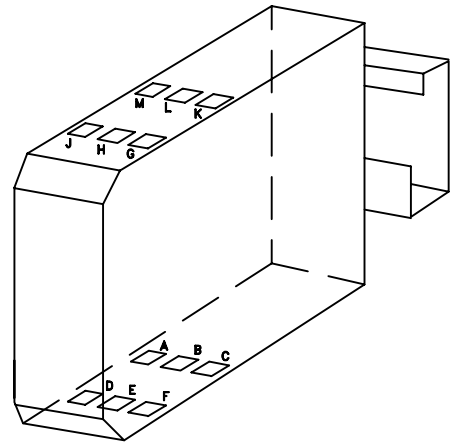
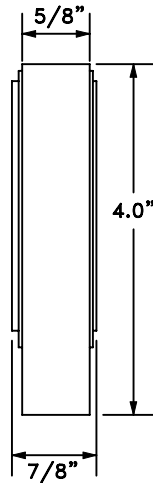
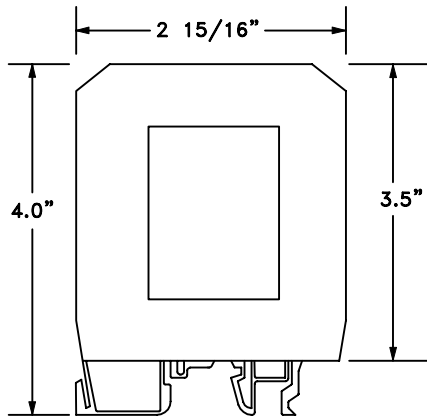
Pribusin Inc. ©

CHKD: DATE: JUNE 6/00 DRN: MG

Model: NTC-29-HFX
High Frequency Transmitter
Connection Diagram

DWG. NO.: 106339 REV. A

Enclosure Detail :



Din Rail Detail :

	<p>A</p> <p>Rail Standard EN 50 035 Dimensions: 32 x 15 x 1.5 mm</p>
	<p>B</p> <p>Rail Standard DIN EN 50 022 Dimensions: 35 x 15 x 2.3 mm</p>
	<p>C</p> <p>Rail Standard DIN EN 50 022 Dimensions: 35 x 7.5 x 1 mm</p>
	<p>D</p> <p>Rail Standard DIN EN 50 022 Dimensions: 35 x 15 x 1.5 mm</p>

Pribusin Inc. ©

CHKD:

DATE: APR. 26/93

DRN: KS

Terminal Block Enclosure/
Din Rail Detail

DWG. NO. :

104384

REV. A