



*Manufacturers of Process
Controls and Instrumentation*

Instruction Manual

Model: *RCI-400-XXX*

Function: *Remote Control Signal Interface*

Communication: *XXX=SER: RS-232/485*
 XXX=MDM Modem Dial-Up
 XXX=FSK: Leased Line
 XXX=RF9: 900 Mhz Wireless
 XXX=RF2: 2.4 Ghz Wireless

Input: 4 "Dry" Contacts and 4 Analog Inputs

Output: 4 Form 'C' Contacts and 4 Analog Outputs

Power: 117VAC, 50/60Hz
 24 VDC

Serial #: _____

(If special or required)

For Technical Assistance And Questions Call
USA: (231) 788-2900 CANADA: (905) 660-5336



Standard Features:

- Bi-directional Communication using Phone Line
- Dial-Out Programmable for: Status/Setpoint Change, Incremental Signal Change and Timed Interval
- Point-to-Point or Host-to-Multi-Point Operation
- 4 Dry Contact and 4 Analog Inputs
- 4 'C' Relay Contacts and 4 Analog Outputs
- Configurable to Initiate and/or Answer A Call
- Uses Standard Voice Telephone Line
- No Calibration Required
- Microprocessor Controlled for High Accuracy
- Power: 117 VAC 50/60 Hz (Optional 24 VDC)
- Built-in Overvoltage Protection on Telephone Line
- High Noise Rejection

Function:

The RCI-400-MDM is a bi-directional dial-up communication system that exchanges the status of 4 dry contact inputs and 4 analog inputs between a host and remote unit or a PC equipped with a modem. A basic system consists of A) one host station and one or more remote station(s) **OR** B) several remote stations and one PC with a modem.

In system A), the host unit can be set to interrogate the remote unit(s) periodically or when required. Remote units may also be configured to call the host when required. One host may operate several remote units.

In system B), a PC can call several remote units or alternately, remote units may call the PC when required

LabVIEW & Visual BASIC drivers are provided for user software development on PC's.

Connection:

Units are connected via a standard dial-up voice grade line. Regular J11 Phone Jacks make for easy installation. When connecting units on a PBX system make sure it can accept analog modem transmissions. Serial systems connect via standard modem cable.

Specifications:

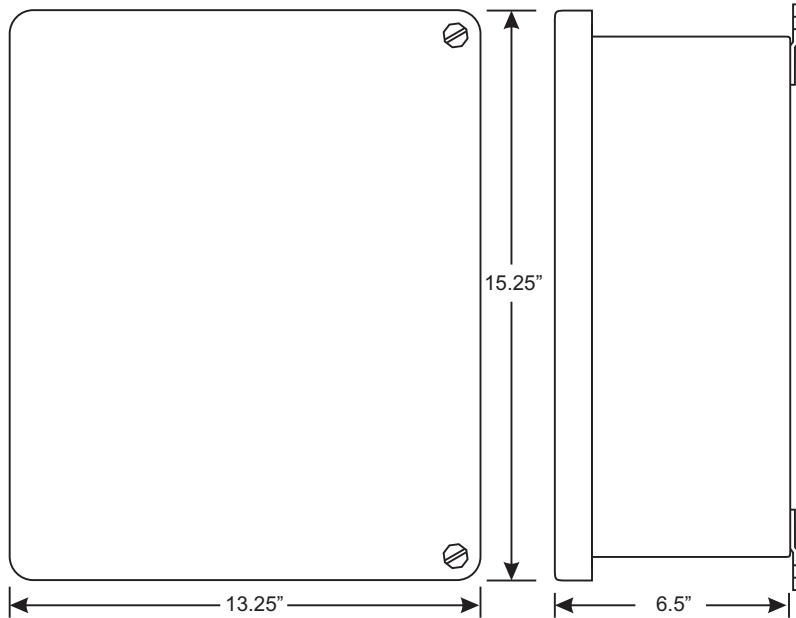
Transmission Medium: Analog Voice Grade Phone Line
BAUD Rate: 2400 BAUD typ., 9600, 14.4K available
Operating Temperature: -20 Deg.C. to +50 Deg.C.
Relay Contacts: 10A 1/8Hp @ 125VAC
6A 1/8Hp @ 277VAC
Power: 117 VAC, 60/50 Hz
(24VDC Available)
Enclosure: NEMA4X (NEMA12 available as an option)
Approvals: ETL 3118354;
UL 60950-1-2007; CSA-C22.2 No. 60950-1-07

RCI-400-MDM

Enclosures & Dimensions:

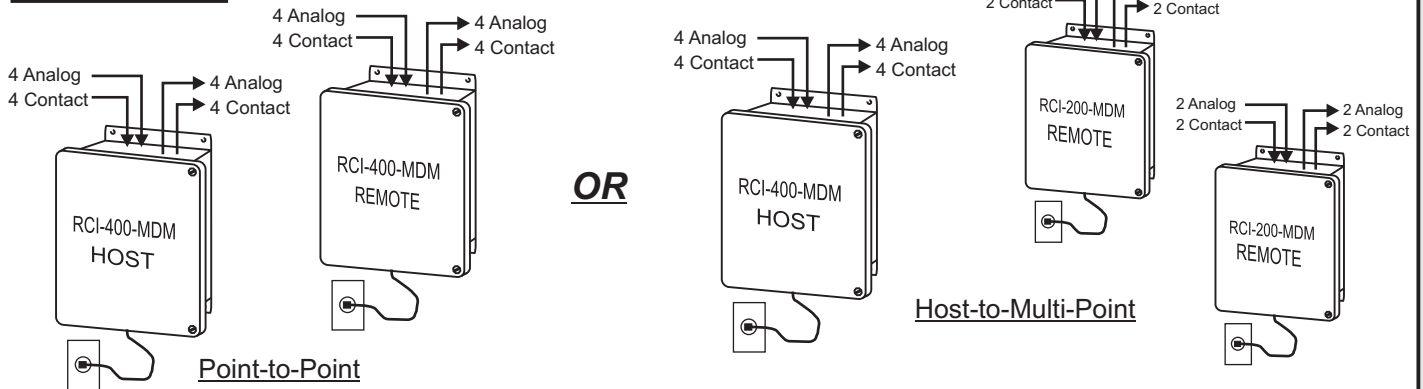
Options: (Add letters to end of Model Number)

D - 8-Digit Scanning Display

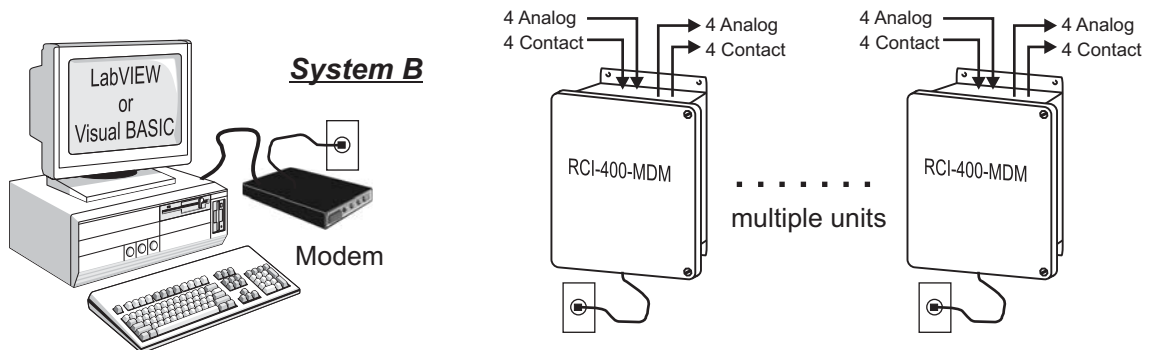


Connection:

System A



System B



Manufactured By:

Pribusin Inc.

www.pribusin.com
info@pribusin.com

USA:

Pribusin Inc.
 743 Marquette Ave.
 Muskegon, MI 49442
 Ph: (231) 788-2900
 Fx: (231) 788-2929



CANADA:

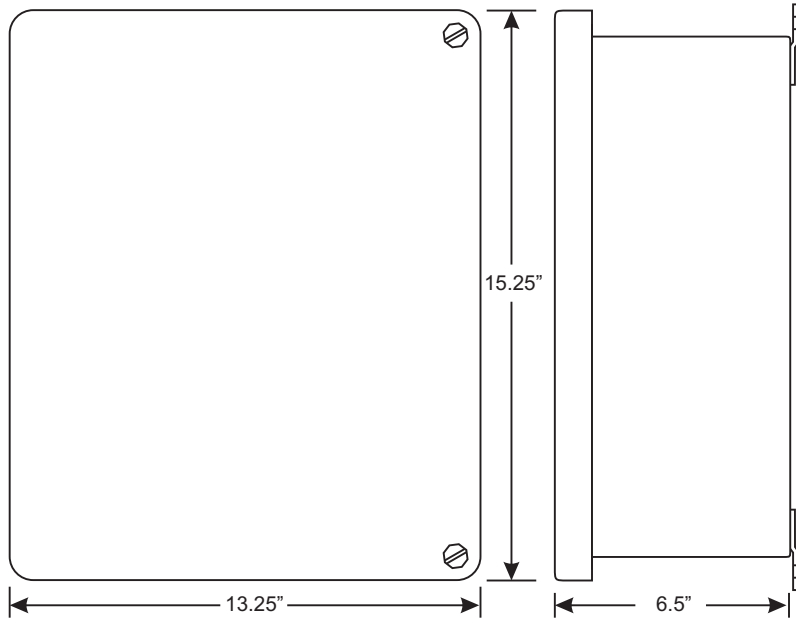
Pribusin Inc.
 101 Freshway Dr. Unit 57
 Concord, Ontario, L4K 1R9
 Ph: (905) 660-5336
 Fx: (905) 660-4068

RCI-400-MDM

Enclosures & Dimensions:

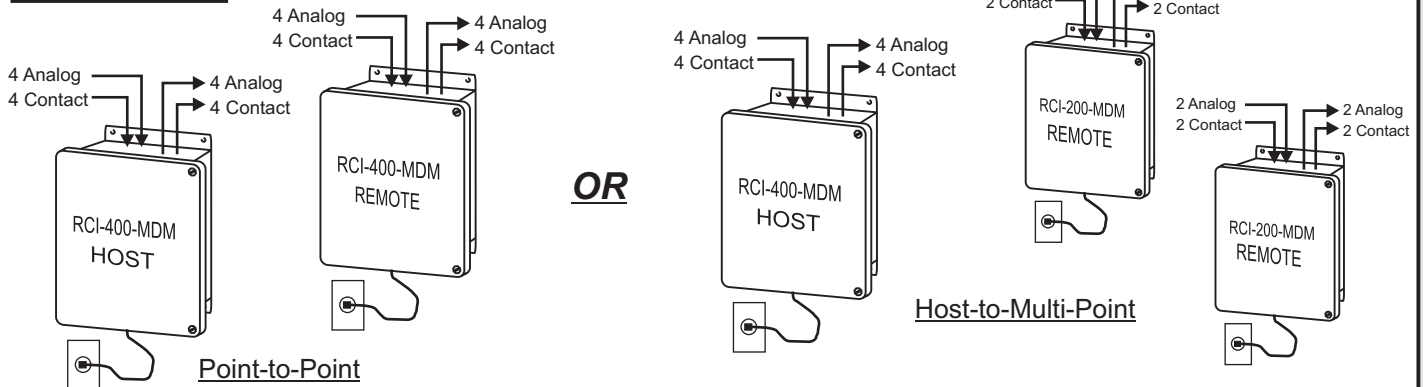
Options: (Add letters to end of Model Number)

D - 8-Digit Scanning Display

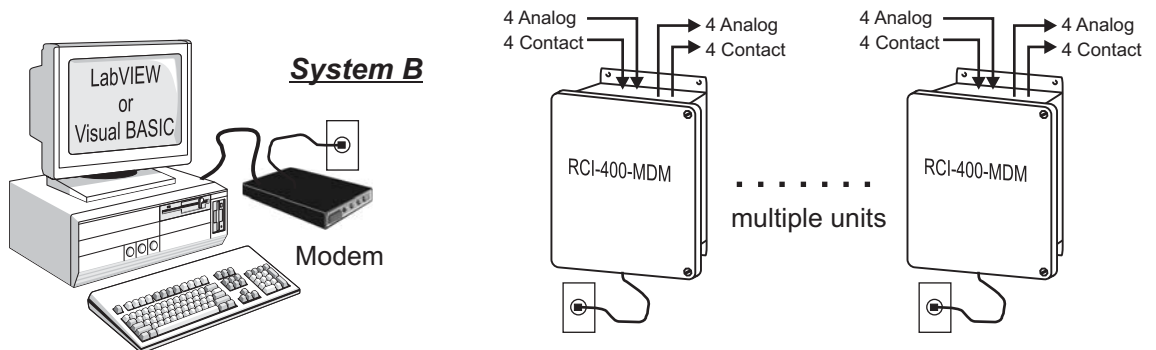


Connection:

System A



System B



Manufactured By:

Pribusin Inc.

www.pribusin.com
info@pribusin.com

USA:

Pribusin Inc.
 743 Marquette Ave.
 Muskegon, MI 49442
 Ph: (231) 788-2900
 Fx: (231) 788-2929



CANADA:

Pribusin Inc.
 101 Freshway Dr. Unit 57
 Concord, Ontario, L4K 1R9
 Ph: (905) 660-5336
 Fx: (905) 660-4068