



*Manufacturers of Process
Controls and Instrumentation*

Instruction Manual

Model: *TLP-XXX*

Function: *Telephone Line Protector*

Input Voltage:

- XXX = : 0-50 Volts
- XXX = : 0-140 Volts
- XXX = : 0-200 Volts
- XXX = : 0-300 Volts

Serial #: _____ (If special or required)

For Technical Assistance And Questions Call
USA: (231) 788-2900 CANADA: (905) 660-5336

Restocking Policy

All product returned to Pribusin Inc. in prime condition (not damaged, scratched or defaced in any way) within seven (7) months from the original date of shipment is subject to a 50% restocking charge. All product must be accompanied by a Return Authorization number (RA number) which must be obtained from Pribusin Inc. prior to returning any product.

After seven (7) months from the original date of shipment, products cannot be returned for restocking.

Custom designed products, modified products or all non-standard products may not be returned for restocking.

Warranty Policy

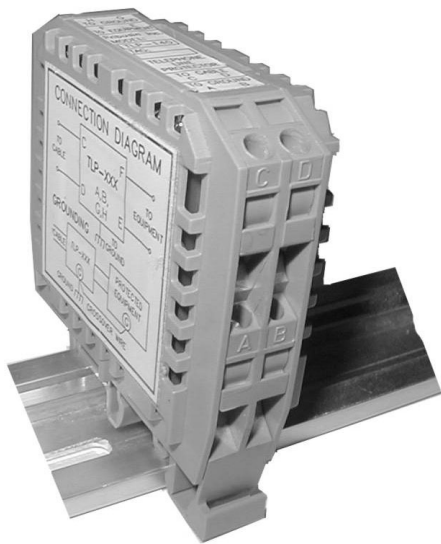
Pribusin Inc. warrants equipment of its own manufacture to be free from defects in material and workmanship, under normal conditions of use and service, and will replace any component found to be defective, on its return to Pribusin Inc., transportation charges prepaid, within one year of its original purchase. Pribusin Inc. will extend the same warranty protection on equipment, peripherals and accessories which is extended to Pribusin Inc. by the original manufacturer. Pribusin Inc. also assumes noliability, expressed or implied, beyond its obligation to prelace any component involved. Such warranty is in lieu of all other warranties, expressed or implied.

Pribusin Inc.

Manufacturers of Process
Controls and Instrumentation

Model: TLP-XXX

Telephone Line Surge Protector



Standard features:

- Protects Telephone Line Equipment
- Reduces Risk of Damage from Power Surges
- Increases Protection when used after a Lightning Arrestor
- Small Size
- No Power Required

**NOT A SUBSTITUTE FOR A LIGHTNING
ARRESTOR !!!**

Function:

The TLP-XXX provides additional protection for telephone line connected equipment by reducing the risk of power surges from entering the equipment. It accomplishes this by clipping input voltages above a certain level. It is an ideal addition to Lightning protectors/arrestors since it takes out power surges that a lightning protector may pass on to the telephone equipment.

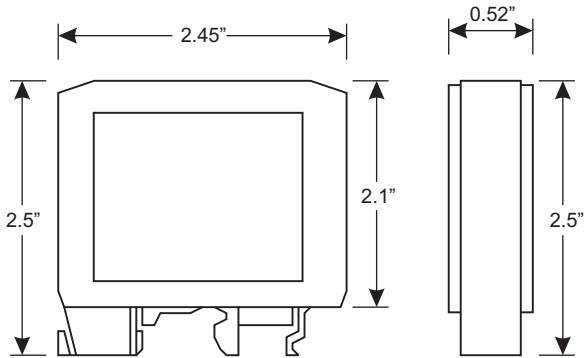
Various input voltage clipping levels are available to suit most applications (see back for details).

Specifications:

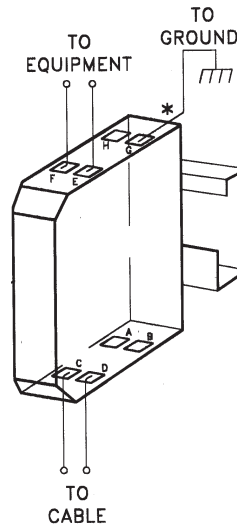
- Input: Telephone Line
- Output: Telephone Line
- Operating Power: None
- Enclosure: PVC Plastic
- Operating Temperature: -40 Deg. C. to + 40 Deg. C.

TLP-XXX

Dimensions:

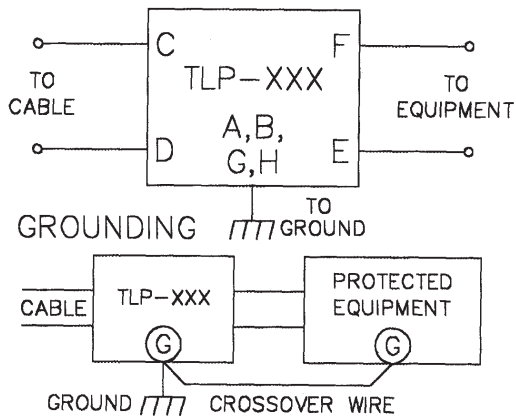


Connection:



Connection:

CONNECTION DIAGRAM



Model Designation:

TLP-XXX

Input Clipping Voltage

140: 140 Volts
200: 200 volts
300: 300 Volts

Manufactured By:

Pribusin Inc.

www.pribusin.com
info@pribusin.com

USA:

Pribusin Inc.
743 Marquette Ave.
Muskegon, MI 49442
Ph: (231) 788-2900
Fx: (231) 788-2929

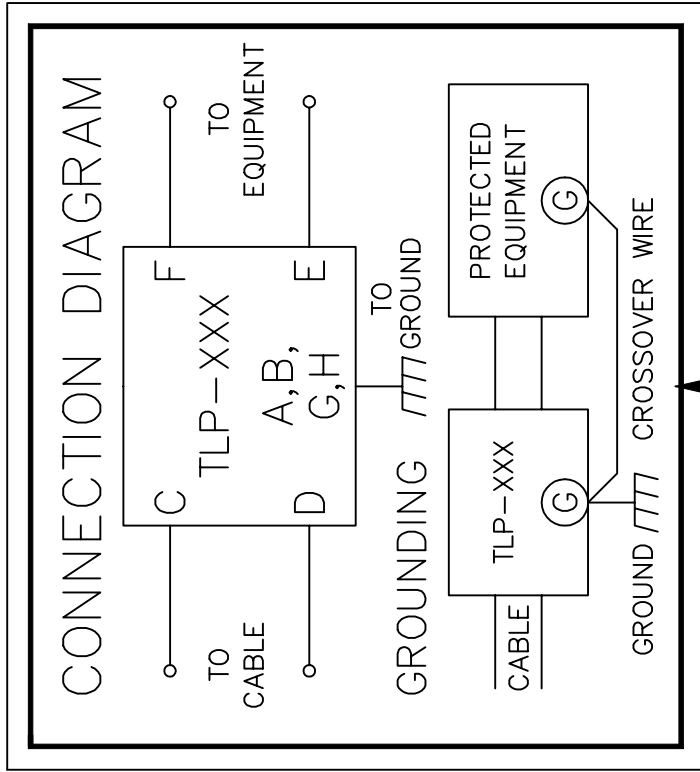


CANADA:

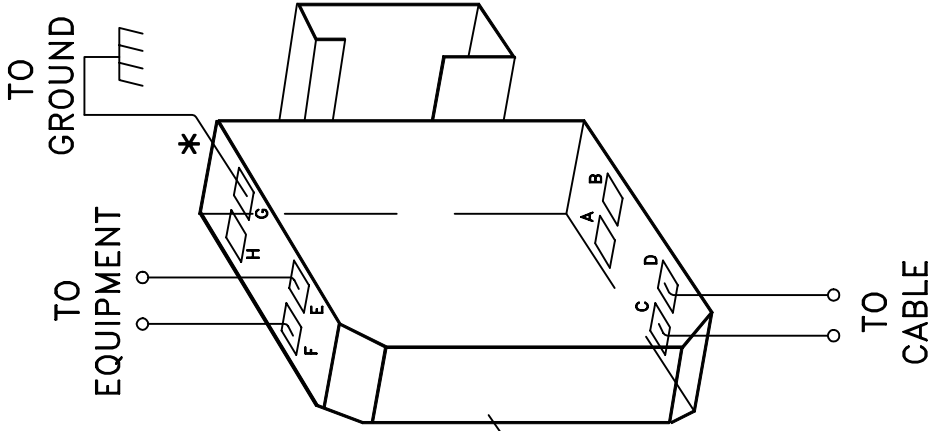
Pribusin Inc.
101 Freshway Dr. Unit 57
Concord, Ontario, L4K 1R9
Ph: (905) 660-5336
Fx: (905) 660-4068

* ANY OF TERMINALS A, B, G, OR H CAN BE USED FOR GROUND CONNECTION.

SEE NOTE BELOW FOR DETAILS OF GROUNDING.



H	G
TO GROUND	
F	E
TO EQUIPMENT	
Pribusin Inc.	
MODEL:	
TLP-200	
TAG:	
TELEPHONE LINE PROTECTOR	
TO CABLE	D
TO GROUND	A
	B

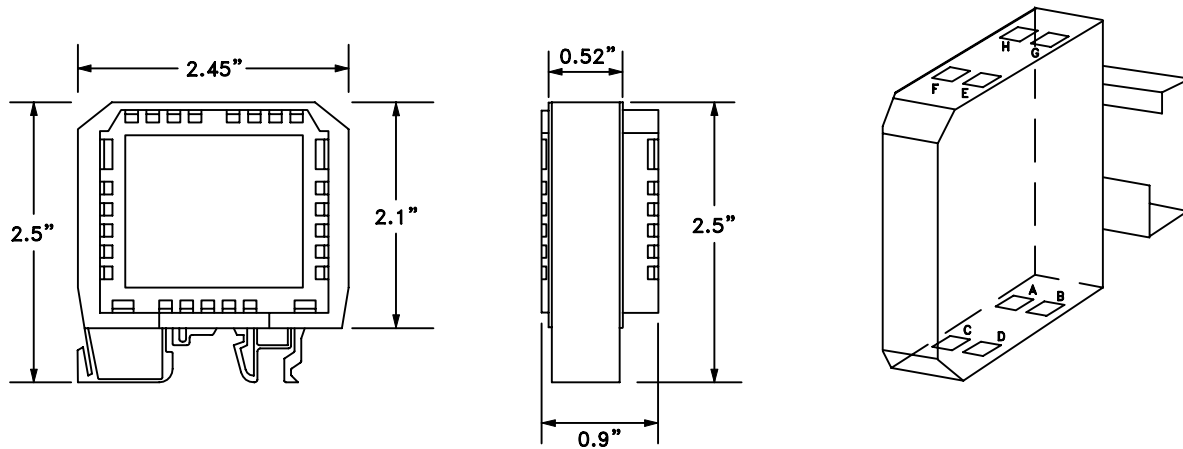


NOTE: A CROSSOVER WIRE BETWEEN TLP-XXX GROUND AND EQUIPMENT GROUND IS REQUIRED FOR PROTECTION.

Note: For Details of Terminal Block Enclosure/ Din Rail See Dwg. 104995.

Pribusin Inc. ©		
CHKD :	DATE : JUNE 28/94	DRN: KS
Model: TLP-XXX Telephone Line Protector Connection Diagram		
DWG. NO. :	104994-1	REV. A

Enclosure Detail :



Din Rail Detail :

	<p>A</p> <p>Rail Standard EN 50 035 Dimensions: 32 x 15 x 1.5 mm</p>
	<p>B</p> <p>Rail Standard DIN EN 50 022 Dimensions: 35 x 15 x 2.3 mm</p>
	<p>C</p> <p>Rail Standard DIN EN 50 022 Dimensions: 35 x 7.5 x 1 mm</p>
	<p>D</p> <p>Rail Standard DIN EN 50 022 Dimensions: 35 x 15 x 1.5 mm</p>

Pribusin Inc. ©

CHKD: DATE: JUNE 28/94 DRN: KS

(Wide Cover)
Small Terminal Block Enclosure/
Din Rail Detail

DWG. NO. : 104995 REV. B