



*Manufacturers of Process
Controls and Instrumentation*

Instruction Manual

Model: *TWI-22-TB (1992)*

Function: *Loop Powered Signal Isolator*

Input: ■ 4-20 mA

Output: ■ 4-20 mA

Serial #: _____

(If special or required)

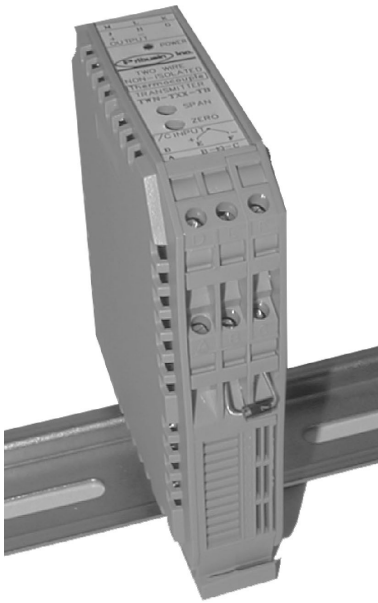
For Technical Assistance And Questions Call
USA: (231) 788-2900 CANADA: (905) 660-5336

Pribusin Inc.

Manufacturers of Process
Controls and Instrumentation

Model: TWI-25-TB (1992)

Loop Powered Isolator



Standard features:

- High Input-Output-Power Isolation (1500VAC Test)
- Small Size - Fits on Terminal Block Rail
- Industry Standard 4-20 mA Input
- Industry Standard 1-5 VDC Output
- Powered From Input Loop
- Requires No Calibration
- Very Efficient (only 1.5V Input Loop Loss)
- High Noise Rejection
- CSA and NRTL Approved (LR 51078)

Function:

The TWI-25-TB (1992) is a loop powered isolator which can be used in applications where loop isolation is required but power is not available and/or space is limited. The isolation is achieved via an isolation transformer. Every isolator is tested at 1500 VAC to ensure that the dielectric strength is sufficient.

The output impedance is 250 ohms and the output should be connected to a high impedance input to minimize loading effects.

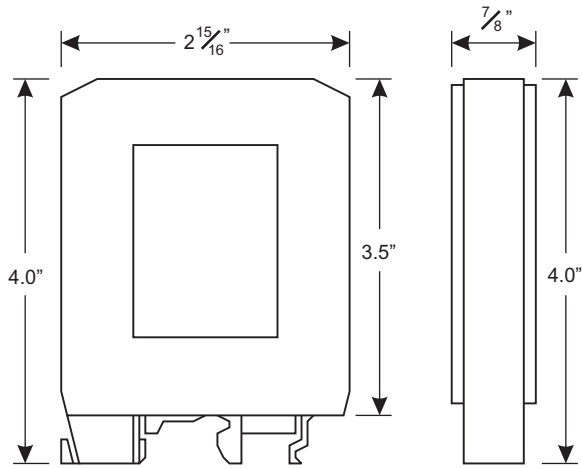
The total input loop load is 325 ohms.

Specifications:

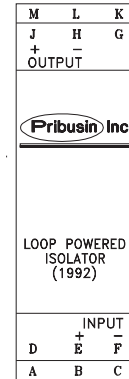
- Isolation: 1500 VAC Input-Output-Chassis (Test)
- Loop Loss: 1.5 VDC
- Input: 4-20 mA
- Output: 1-5 VDC
- Accuracy/Linearity: +/-0.1% max., +/- 0.05% typ.
- Response Time: 10 msec to 63% of final value
40 msec to 99% of final value
- Temperature Effects: +/- 0.5% max., +/-0.2% typ.
for 40 Deg.C. change
- Drift at 25 Deg.C.:
24 Hours +/-0.05% max., +/-0.03% typ.
30 Days +/-0.1% max., +/-0.05% typ.
- Operating Temperature: -40 Deg. C. to + 50 Deg. C.

TWI-25-TB (1992)

Dimensions:

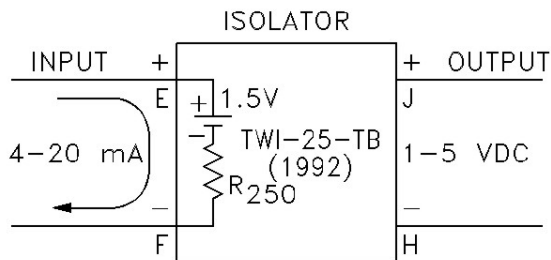


Connection:



No Calibration is required on the TWI-25-TB (1992)

Connection:



Manufactured By:

Pribusin Inc.

www.pribusin.com
info@pribusin.com

USA:

Pribusin Inc.
743 Marquette Ave.
Muskegon, MI 49442
Ph: (231) 788-2900
Fx: (231) 788-2929



CANADA:

Pribusin Inc.
101 Freshway Dr. Unit 57
Concord, Ontario, L4K 1R9
Ph: (905) 660-5336
Fx: (905) 660-4068

Restocking Policy

All product returned to Pribusin Inc. in prime condition (not damaged, scratched or defaced in any way) within seven (7) months from the original date of shipment is subject to a 50% restocking charge. All product must be accompanied by a Return Authorization number (RA number) which must be obtained from Pribusin Inc. prior to returning any product.

After seven (7) months from the original date of shipment, products cannot be returned for restocking.

Custom designed products, modified products or all non-standard products may not be returned for restocking.

Warranty Policy

Pribusin Inc. warrants equipment of its own manufacture to be free from defects in material and workmanship, under normal conditions of use and service, and will replace any component found to be defective, on its return to Pribusin Inc., transportation charges prepaid, within one year of its original purchase. Pribusin Inc. will extend the same warranty protection on equipment, peripherals and accessories which is extended to Pribusin Inc. by the original manufacturer. Pribusin Inc. also assumes noliability, expressed or implied, beyond its obligation to prelace any component involved. Such warranty is in lieu of all other warranties, expressed or implied.