



*Manufacturers of Process
Controls and Instrumentation*

Instruction Manual

Model: *TWI-MVX2-TB*

Function: *Two Wire Isolated Transmitter*

Input: X=2: 4-20 mA
 X=3: 0-1 mA
 X=4: 10-50 mA
 X=6: 0-10 VDC
 X=7: _____

Output: 4-20mA

Serial #: _____
(If special or required)

For Technical Assistance And Questions Call
USA: (231) 788-2900 CANADA: (905) 660-5336

Restocking Policy

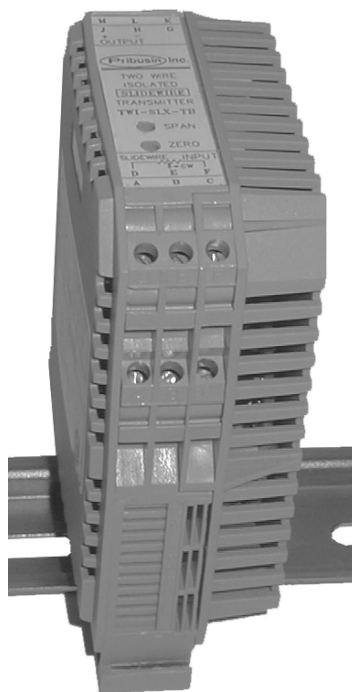
All product returned to Pribusin Inc. in prime condition (not damaged, scratched or defaced in any way) within seven (7) months from the original date of shipment is subject to a 50% restocking charge. All product must be accompanied by a Return Authorization number (RA number) which must be obtained from Pribusin Inc. prior to returning any product.

After seven (7) months from the original date of shipment, products cannot be returned for restocking.

Custom designed products, modified products or all non-standard products may not be returned for restocking.

Warranty Policy

Pribusin Inc. warrants equipment of its own manufacture to be free from defects in material and workmanship, under normal conditions of use and service, and will replace any component found to be defective, on its return to Pribusin Inc., transportation charges prepaid, within one year of its original purchase. Pribusin Inc. will extend the same warranty protection on equipment, peripherals and accessories which is extended to Pribusin Inc. by the original manufacturer. Pribusin Inc. also assumes noliability, expressed or implied, beyond its obligation to prelace any component involved. Such warranty is in lieu of all other warranties, expressed or implied.



Standard features:

- High Input to Output Isolation (800 VAC Test)
- Small Size - Fits on Terminal Block Rail
- Industry Standard 4-20 mA Output
- Industry Standard Input Ranges
- Wide Operating Range (12 to 60 VDC)
- High Noise Rejection
- CSA and NRTL Approved (LR 51078)

Function:

The TWI-MVX2-TB is an isolated two wire transmitter that comes in a small, easy to install package. It has a universal DIN mount which makes it ideal for installation into crowded control panels.

The TWI-MVX2-TB is loop-powered from the 4-20 mA output loop making it ideal as a front end isolator for PLC's where:

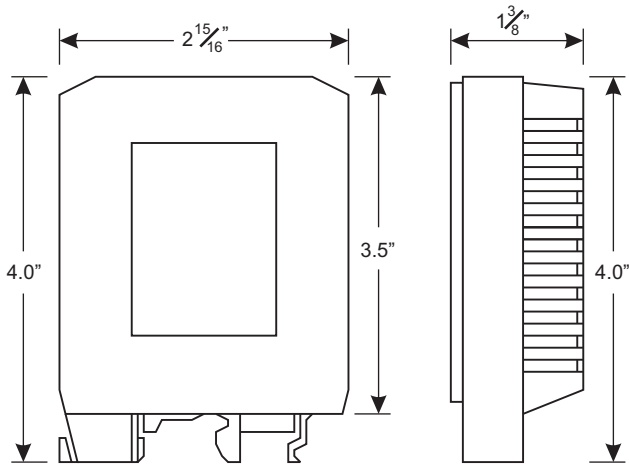
- 1) The input to the PLC has +24V & Input only (no common), as it appears as a tw-wire transmitter.
- 2) PLC's inputs need to be isolated
- 3) An already loaded loop is to be tapped into for PLC monitoring. The TWI-MVX2-TB poses a very small additional load on the existing loop.

Specifications:

- Isolation: 800 VAC (Test)
- Operating Power: 12 to 60 VDC
- Accuracy/Linearity: +/-0.2% max., +/- 0.1% typ.
- Response Time: 100 msec to 63% of final value
400 msec to 99% of final value
- Temperature Effects: +/- 0.025% per Deg.C.
- Drift at 25 Deg. C.: 24 Hours: +/- 0.1%
30 Days: +/-0.2%
- Operating Temperature: -20 Deg. C. to + 50 Deg. C.
- Input Impedance: varies, depending on input

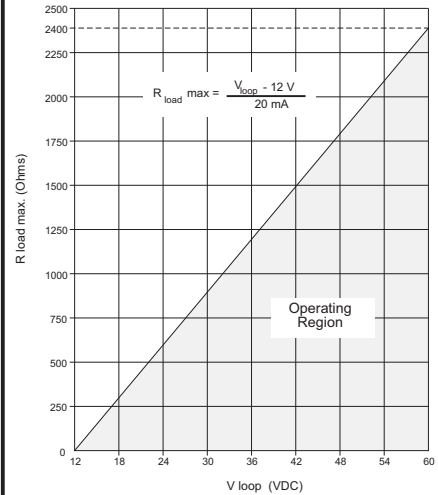
TWI-MVX2-TB

Dimensions:

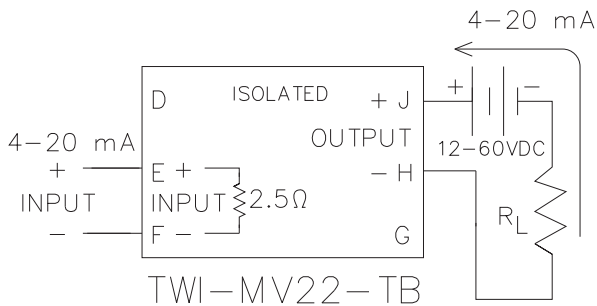


M	L	K
J	H	G
+ OUTPUT		
Pribusin Inc.		
TWO WIRE ISOLATED TRANSMITTER		
TWI-MV22-TB		
TAG:		
<input type="checkbox"/> SPAN <input type="checkbox"/> ZERO		
INPUT		
D	E	F
A	B	C

Loop Characteristics:



Connection:



Model Designation:

TWI-MVX2-TB

Input

2: 4-20 mA ($Z_{in}=2.5$ ohms)
3: 0-1 mA ($Z_{in}=50$ ohms)

7: Special Input

Example: Isolator with 4-20 mA Input & 4-20mA Output is designated by: TWI-MV22-TB

Manufactured By:

Pribusin Inc.

www.pribusin.com
info@pribusin.com

USA:

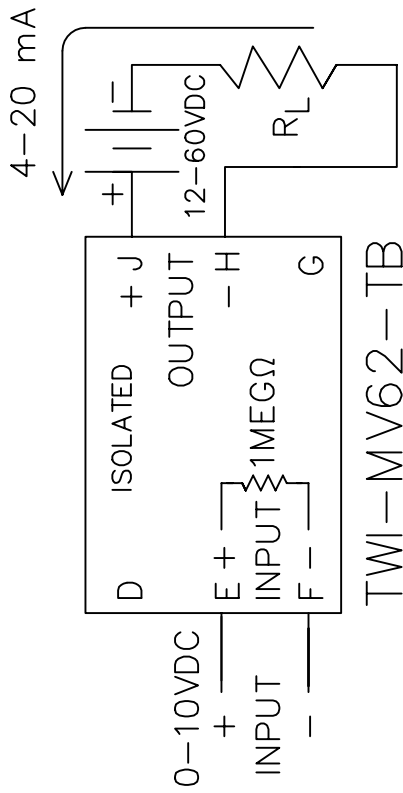
Pribusin Inc.
743 Marquette Ave.
Muskegon, MI 49442
Ph: (231) 788-2900
Fx: (231) 788-2929



CANADA:

Pribusin Inc.
101 Freshway Dr. Unit 57
Concord, Ontario, L4K 1R9
Ph: (905) 660-5336
Fx: (905) 660-4068

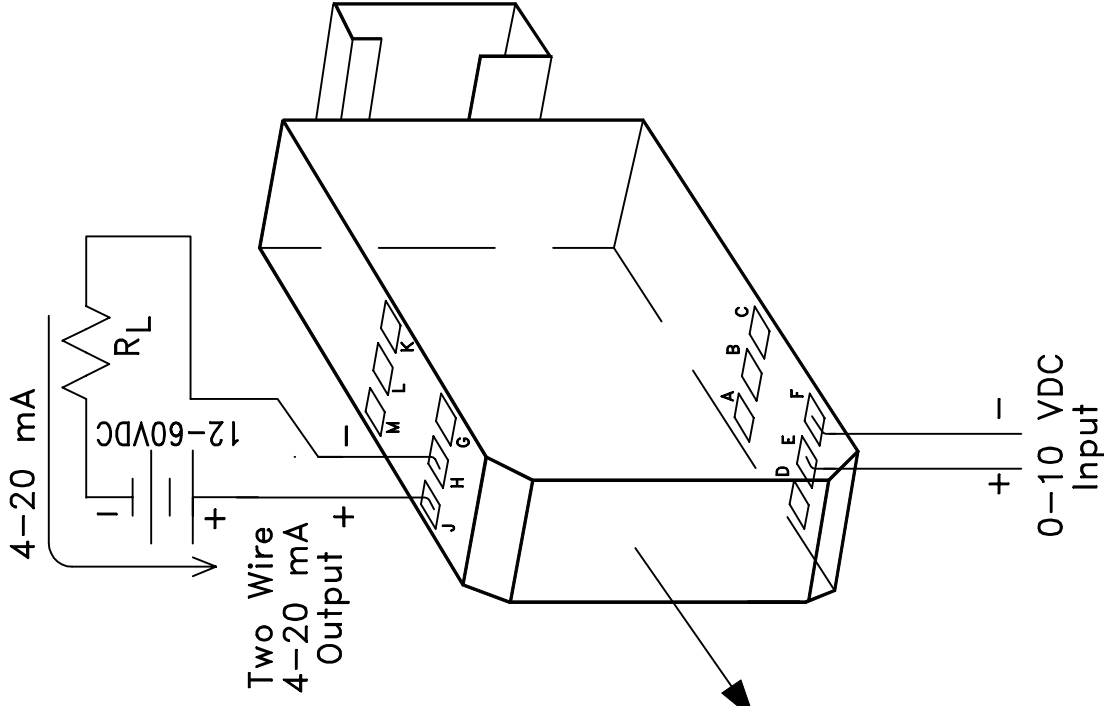
FIELD CONNECTIONS



TWI-MV62-TB

TWO WIRE ISOLATED TRANSMITTER

M	L	K
J	H	G
+ OUTPUT		
Pribusin Inc.		
TWO WIRE ISOLATED TRANSMITTER		
TWI-MV62-TB		
TAG: _____		
<input type="checkbox"/> SPAN <input type="checkbox"/> ZERO		
INPUT		
D	E	F
A	B	C



Notes:

- For Details of Terminal Block Enclosure/Din Rail See Dwg 104385.

Calibration Procedure:

- Apply an input of 0 VDC to terminals E and F.
- Adjust ZERO until output signal is 4 mA.
- Apply an input of 10 VDC to terminals E and F.
- Adjust SPAN until output signal is 20 mA.
- Repeat procedure starting at 1. until output signal is correct.
- Apply an input of 5 VDC to terminals E and F, and check that the output is 12 mA.
- Calibration is complete.

Pribusin Inc. ©

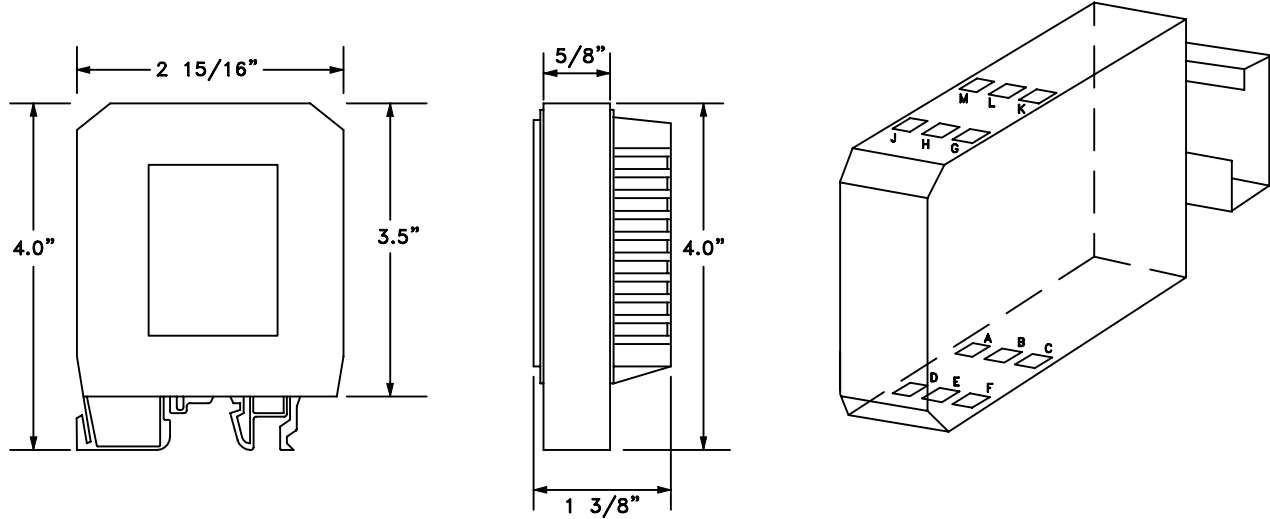
CHKD: _____ DATE: JAN. 30/96 DRN: KS

Model: TWI-MV62-TB
Two Wire Isolated Transmitter
Connections /Calibration

DWG. NO. : 105511-3

REV. A

Enclosure Detail :



Din Rail Detail :

	<p>A</p> <p>Rail Standard EN 50 035 Dimensions: 32 x 15 x 1.5 mm</p>
	<p>B</p> <p>Rail Standard DIN EN 50 022 Dimensions: 35 x 15 x 2.3 mm</p>
	<p>C</p> <p>Rail Standard DIN EN 50 022 Dimensions: 35 x 7.5 x 1 mm</p>
	<p>D</p> <p>Rail Standard DIN EN 50 022 Dimensions: 35 x 15 x 1.5 mm</p>

<p>Pribusin Inc. ©</p>		
CHKD:	DATE: APR. 26/93	DRN: KS
<p>(Wide Cover) Terminal Block Enclosure/ Din Rail Detail</p>		
DWG. NO. :	104385	REV. B