



*Manufacturers of Process
Controls and Instrumentation*

Instruction Manual

Model: *TWI-SLX-TB*

Function: *Two Wire Slidewire Transmitter*

Input: X=1: 0-100 R X=4: 0-2 K R
 X=2: 0-500 R X=5: 0-5 K R
 X=3: 0-1K R X=6: 0-10K R
 X=7: _____

Output: 4-20mA

Power: 12 to 60 VDC

Serial #: _____
(If special or required)

For Technical Assistance And Questions Call
USA: (231) 788-2900 CANADA: (905) 660-5336

Restocking Policy

All product returned to Pribusin Inc. in prime condition (not damaged, scratched or defaced in any way) within seven (7) months from the original date of shipment is subject to a 50% restocking charge. All product must be accompanied by a Return Authorization number (RA number) which must be obtained from Pribusin Inc. prior to returning any product.

After seven (7) months from the original date of shipment, products cannot be returned for restocking.

Custom designed products, modified products or all non-standard products may not be returned for restocking.

Warranty Policy

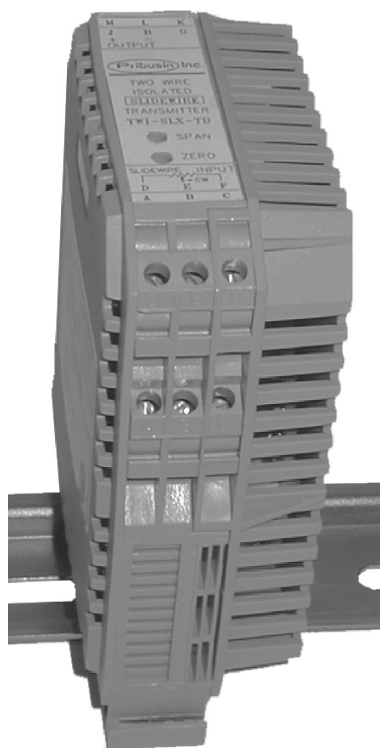
Pribusin Inc. warrants equipment of its own manufacture to be free from defects in material and workmanship, under normal conditions of use and service, and will replace any component found to be defective, on its return to Pribusin Inc., transportation charges prepaid, within one year of its original purchase. Pribusin Inc. will extend the same warranty protection on equipment, peripherals and accessories which is extended to Pribusin Inc. by the original manufacturer. Pribusin Inc. also assumes noliability, expressed or implied, beyond its obligation to prelace any component involved. Such warranty is in lieu of all other warranties, expressed or implied.

Pribusin Inc.

Manufacturers of Process
Controls and Instrumentation

Model: TWI-SLX-TB

Two Wire Isolated Slidewire Transmitter



Standard features:

- High Input to Output Isolation (800 VAC Test)
- Small Size - Fits on Terminal Block Rail
- Industry Standard 4-20 mA Output
- Standard Ranges for Common Slidewires
- Special Ranges Available
- Wide Operating Range (12 to 60 VDC)
- High Noise Rejection
- CSA and NRTL Approved (LR 51078)

Function:

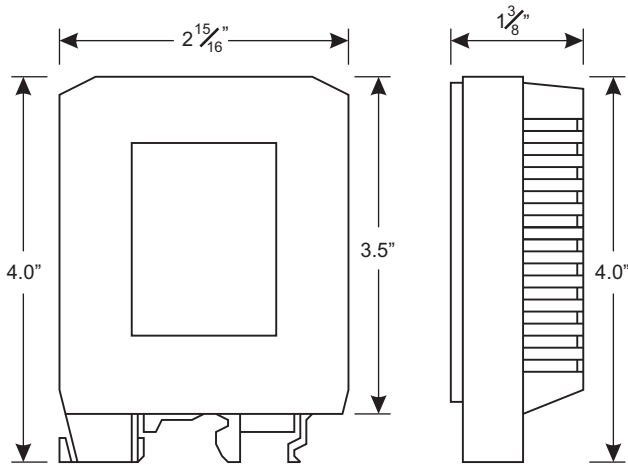
The TWI-SLX-TB is an isolated two wire Slidewire transmitter in a small, easy to install package. It has a universal DIN mount which makes it ideal for installation into crowded control panels. The many different input ranges allow it to be used in a great variety of position measurement applications.

Specifications:

- Output: 4-20 mA
- Isolation: 800 VAC Test
- Operating Power: 12 to 60 VDC
- Accuracy/Linearity: +/-0.25% max., +/- 0.1% typ
- Response Time: 100 msec to 63% of final value
400 msec to 99% of final value
- Temperature Effects: +/- 0.025% per Deg.C.
- Span Drift: +/- 0.025% per Deg.C.
- Zero Drift: 1 milliohm per 1 ohm offset per Deg.C. or
1 milliohm per Deg.C. whichever is larger
- Line Effects: 0.03% per 10 VDC Line Change
- Operating Temperature: -20 Deg. C. to + 40 Deg. C.

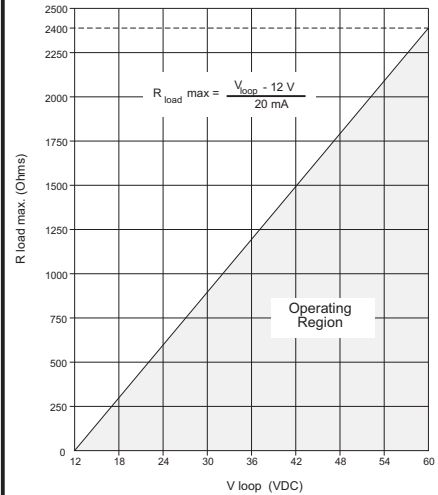
TWI-SLX-TB

Dimensions:

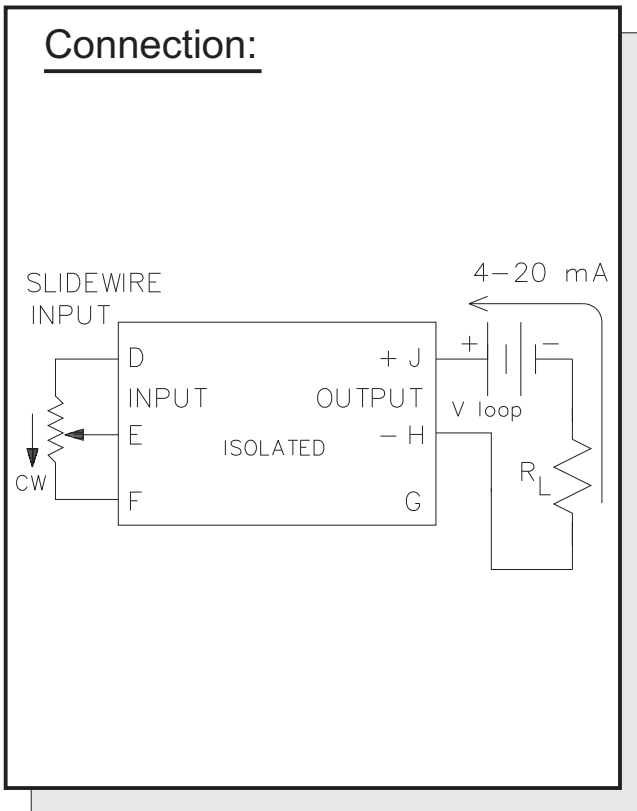


M	L	K
J	H	G
+ OUTPUT		
Pribusin Inc.		
TWO WIRE ISOLATED SLIDEWIRE TRANSMITTER TWI-SLX-TB		
<input type="checkbox"/> SPAN <input type="checkbox"/> ZERO		
SLIDEWIRE INPUT	INPUT	
D	E	F
A	B	C

Loop Characteristics:



Connection:



Model Designation:

TWI-SLX-TB

Input

- 1: 100 Ohms
- 2: 500 Ohms
- 3: 1K Ohms
- 4: 2K Ohms
- 5: 5K Ohms
- 6: 10K Ohms
- 7: Special (must specify on order)

Example: Isolated Slidewire transmitter for 1K Ohm Slidewire is designated by: TWI-SL3-TB

Manufactured By:

Pribusin Inc.

www.pribusin.com
info@pribusin.com

USA:

Pribusin Inc.
743 Marquette Ave.
Muskegon, MI 49442
Ph: (231) 788-2900
Fx: (231) 788-2929

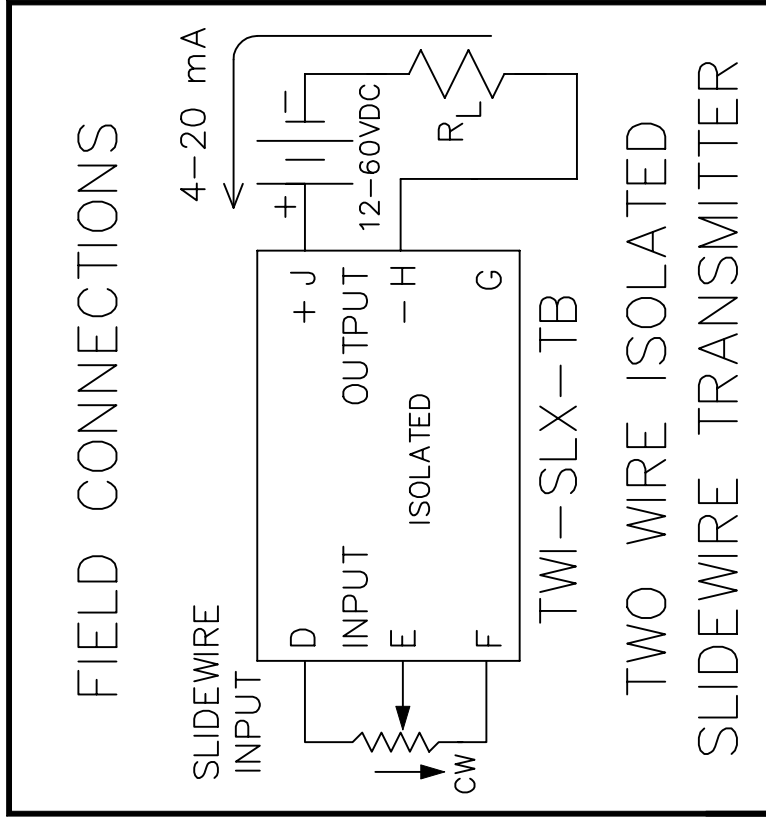


CANADA:

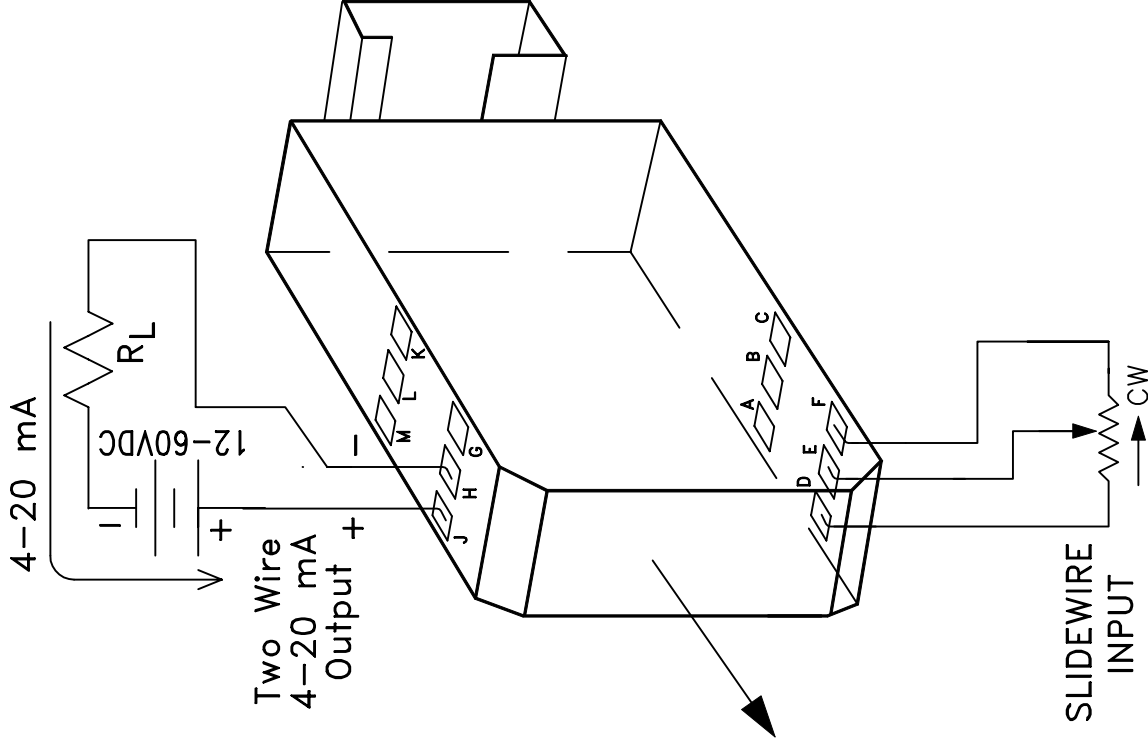
Pribusin Inc.
101 Freshway Dr. Unit 57
Concord, Ontario, L4K 1R9
Ph: (905) 660-5336
Fx: (905) 660-4068

Notes:

1. For Details of Terminal Block Enclosure/Din Rail See Dwg. 104385.



M	L	K
J	H	G
+	-	
OUTPUT		
Pribusin Inc.		
TWO WIRE ISOLATED		
SLIDEWIRE TRANSMITTER		
TWI-SLX-TB		
SPAN		
ZERO		
SLIDEWIRE INPUT		
D	E	F
A	B	C



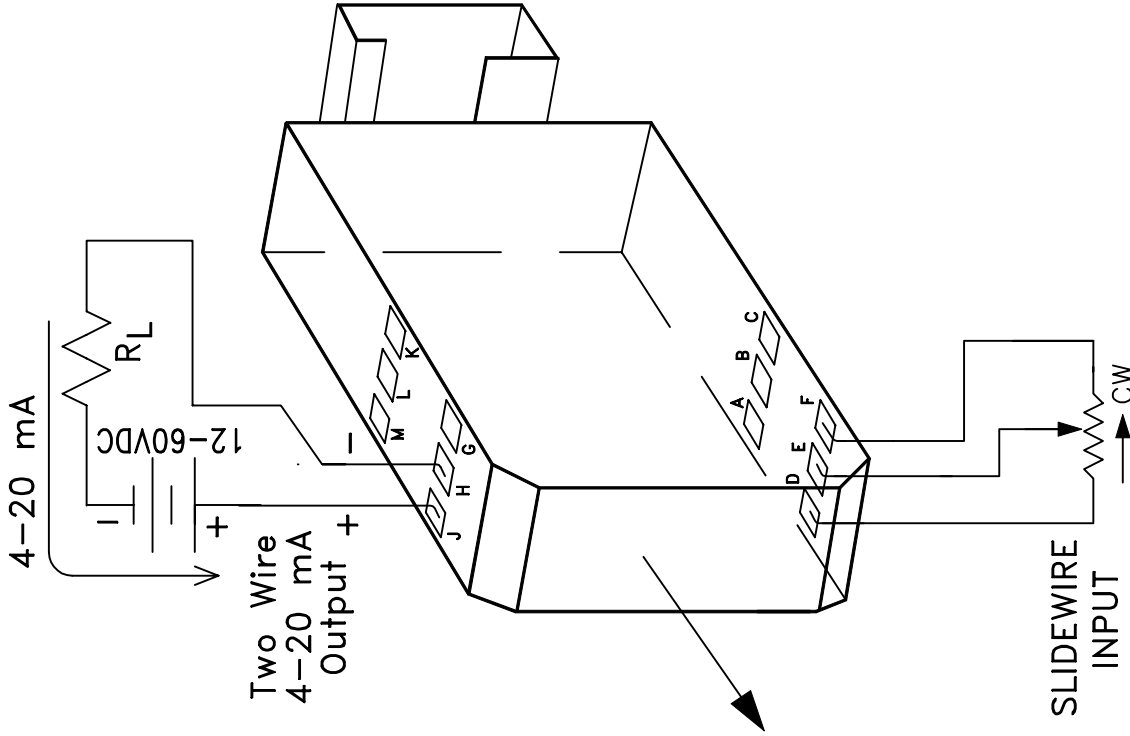
Pribusin Inc. ©			
CHKD :	DATE : NOV. 02/94	DRN: KS	
Model: TWI-SLX-TB Two Wire Isolated SlideWire Transmitter Connection Diagram			
DWG. NO. :	104145-1		REV. A

Notes:

1. For Details of Terminal Block Enclosure/Din Rail See Dwg. 104385.

Calibration Procedure:

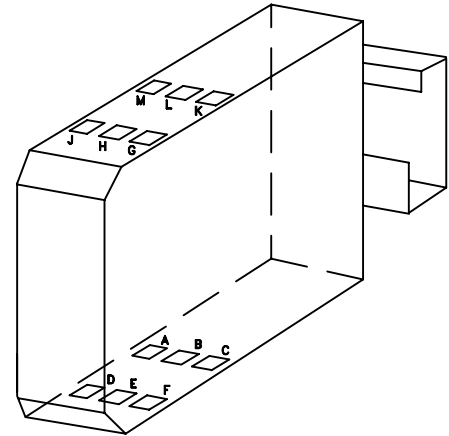
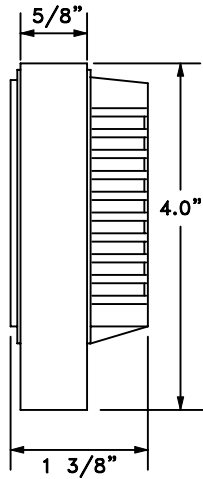
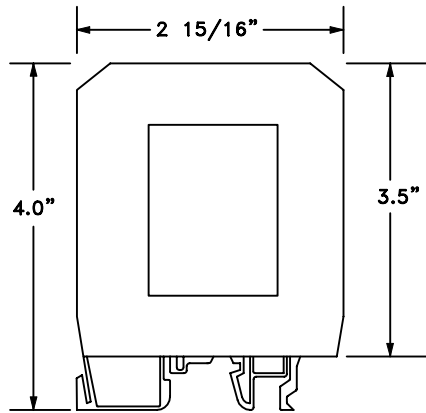
1. Apply an input signal equal to 100 % of the input range.
2. Adjust the Span potentiometer for an output of 20.00 mA.
Note: If the output will not go down to 20.00 mA, then adjust the Zero potentiometer to get down to 20.00 mA.
3. Apply an input signal equal to 0 % of the input range.
4. Adjust the Zero potentiometer for an output of 4.00 mA.
5. Repeat steps 1 to 5 until no further adjustments are required.



M	L	K
J	H	G
+ OUTPUT -		
Pribusin Inc. ©		
TWO WIRE ISOLATED SLIDEWIRE TRANSMITTER TWI-SLX-TB		
<input type="checkbox"/> SPAN <input type="checkbox"/> ZERO		
SLIDEWIRE INPUT		
D	E	F
A	B	C

Pribusin Inc. ©		
CHKD :	DATE : NOV. 02/94	DRN: KS
Model: TWI-SLX-TB Two Wire Isolated Slidewire Transmitter Calibration Procedure		
DWG. NO. :	104145-2	REV. A

Enclosure Detail :



Din Rail Detail :

	<p>A</p> <p>Rail Standard EN 50 035 Dimensions: 32 x 15 x 1.5 mm</p>
	<p>B</p> <p>Rail Standard DIN EN 50 022 Dimensions: 35 x 15 x 2.3 mm</p>
	<p>C</p> <p>Rail Standard DIN EN 50 022 Dimensions: 35 x 7.5 x 1 mm</p>
	<p>D</p> <p>Rail Standard DIN EN 50 022 Dimensions: 35 x 15 x 1.5 mm</p>

Pribusin Inc. ©		
CHKD:	DATE: APR. 26/93	DRN: KS
(Wide Cover) Terminal Block Enclosure/ Din Rail Detail		
DWG. NO. :	104385	REV. B