



*Manufacturers of Process  
Controls and Instrumentation*

# ***Instruction Manual***

Model: *TWN-SLX-TB*

Function: *Two Wire Non-Isolated  
Slidewire Transmitter*

Input:  X=1: 0-100 R       X=4: 0-2K R  
 X=2: 0-500 R       X=5: 0-5K R  
 X=3: 0-1K R       X=6: 0-10K R  
 X=7: \_\_\_\_\_

Output:  4-20mA

Power:  12 to 60 VDC

Serial #: \_\_\_\_\_

(If special or required)

For Technical Assistance And Questions Call  
USA: (231) 788-2900    CANADA: (905) 660-5336

## Restocking Policy

All product returned to Pribusin Inc. in prime condition (not damaged, scratched or defaced in any way) within seven (7) months from the original date of shipment is subject to a 50% restocking charge. All product must be accompanied by a Return Authorization number (RA number) which must be obtained from Pribusin Inc. prior to returning any product.

After seven (7) months from the original date of shipment, products cannot be returned for restocking.

Custom designed products, modified products or all non-standard products may not be returned for restocking.

## Warranty Policy

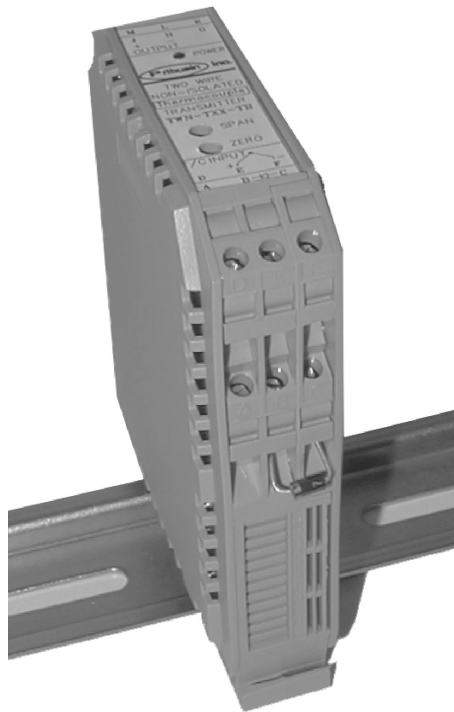
Pribusin Inc. warrants equipment of its own manufacture to be free from defects in material and workmanship, under normal conditions of use and service, and will replace any component found to be defective, on its return to Pribusin Inc., transportation charges prepaid, within one year of its original purchase. Pribusin Inc. will extend the same warranty protection on equipment, peripherals and accessories which is extended to Pribusin Inc. by the original manufacturer. Pribusin Inc. also assumes noliability, expressed or implied, beyond its obligation to prelace any component involved. Such warranty is in lieu of all other warranties, expressed or implied.

**Pribusin Inc.**

Manufacturers of Process  
Controls and Instrumentation

**Model: TWN-SLX-TB**

**Two Wire Non-Isolated Slidewire Transmitter**



### Standard features:

Small Size - Fits on Terminal Block Rail  
Industry Standard 4-20 mA Output  
Standard Ranges for Common Slidewires  
Special Ranges Available  
Wide Operating Range (8 to 60 VDC)  
High Noise Rejection  
CSA and NRTL Approved (LR 51078)

### Function:

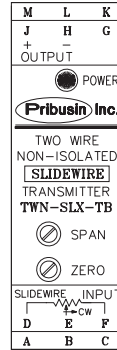
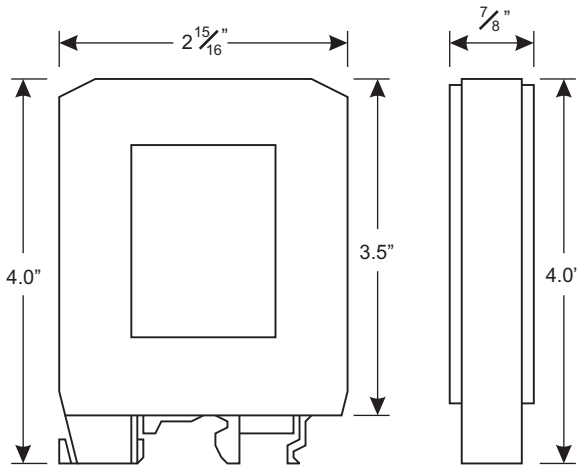
The TWN-SLX-TB is a non-isolated two wire Slidewire transmitter in a small, easy to install package. It has a universal DIN mount which makes it ideal for installation into crowded control panels. The many different input ranges allow it to be used in a great variety of position measurement applications.

### Specifications:

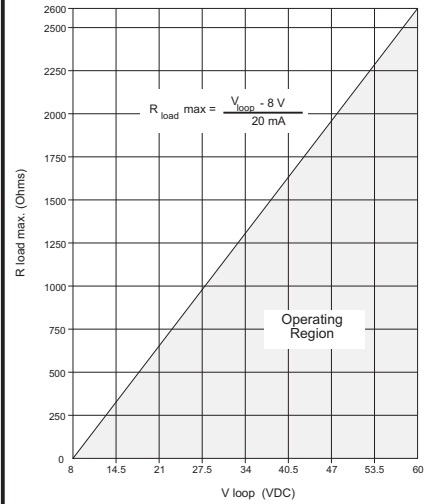
Output: 4-20 mA  
Operating Power: 8 to 60 VDC  
Accuracy/Linearity: +/-0.25% max., +/- 0.1% typ  
Response Time: 100 msec to 63% of final value  
400 msec to 99% of final value  
Temperature Effects: +/- 0.025% per Deg.C.  
Span Drift: +/-0.025% per Deg.C.  
Zero Drift: 1 milliohm per 1 ohm offset per Deg.C. or  
1 milliohm per Deg.C. whichever is larger  
Line Effects: 0.03% per 10 VDC Line Change  
Operating Temperature: -20 Deg. C. to + 40 Deg. C.

# TWN-SLX-TB

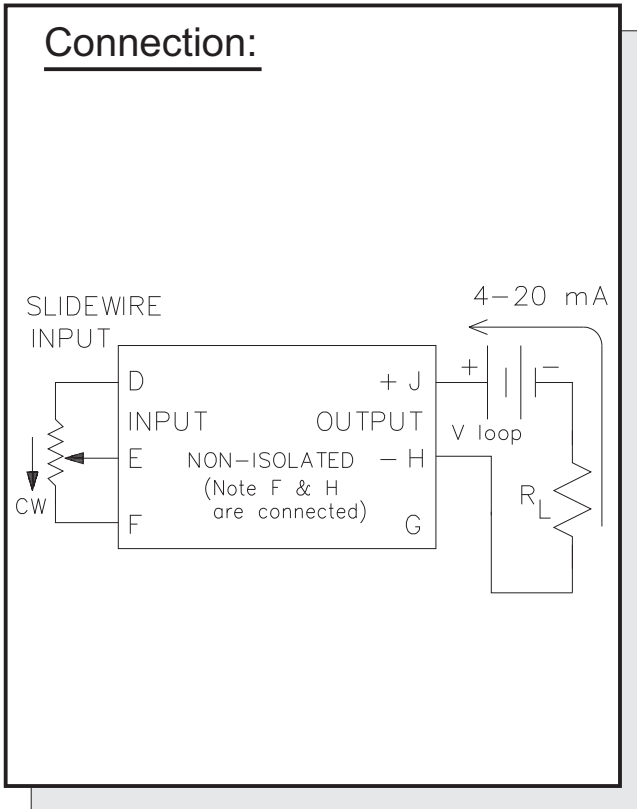
## Dimensions:



## Loop Characteristics:



## Connection:



## Model Designation:

TWN-SLX-TB

Input

- 1: 100 Ohms
- 2: 500 Ohms
- 3: 1K Ohms
- 4: 2K Ohms
- 5: 5K Ohms
- 6: 10K Ohms
- 7: Special (must specify on order)

Example: Non-Isolated Slidewire transmitter for 1K Ohm Slidewire is designated by: TWN-SL3-TB

## Manufactured By:

**Pribusin Inc.**

www.pribusin.com  
info@pribusin.com

### USA:

Pribusin Inc.  
743 Marquette Ave.  
Muskegon, MI 49442  
Ph: (231) 788-2900  
Fx: (231) 788-2929



### CANADA:

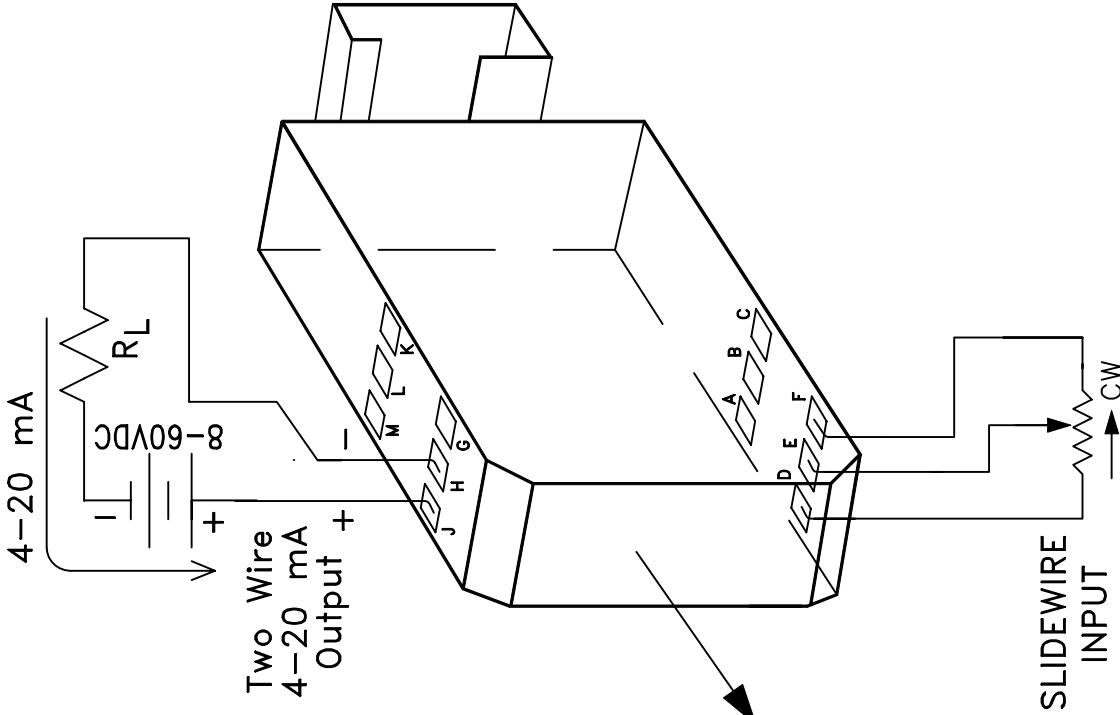
Pribusin Inc.  
101 Freshway Dr. Unit 57  
Concord, Ontario, L4K 1R9  
Ph: (905) 660-5336  
Fx: (905) 660-4068

**Notes:**

1. For Details of Terminal Block Enclosure/ Din Rail See Dwg. 104384.
2. The TWN-SLX-TB is Non-Isolated. For applications that require Isolation, the TWI-SLX-TB must be used.

**Calibration Procedure:**

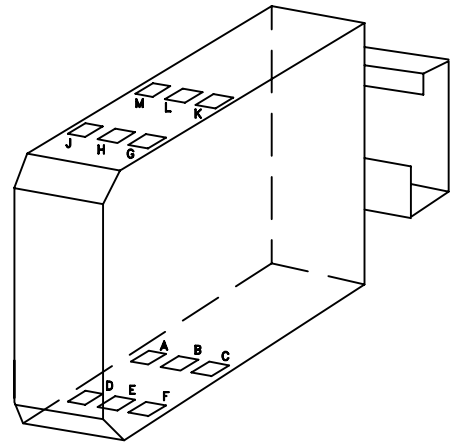
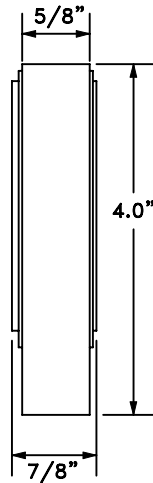
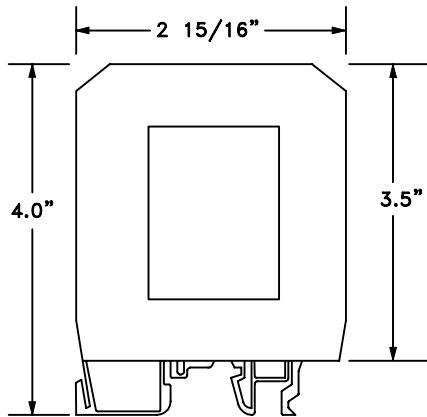
1. Apply an input signal equal to 100 % of the input range.
2. Adjust the Span potentiometer for an output of 20.00 mA.  
Note: If the output will not go down to 20.00 mA, then adjust the Zero potentiometer to get down to 20.00 mA.
3. Apply an input signal equal to 0 % of the input range.
4. Adjust the Zero potentiometer for an output of 4.00 mA.
5. Repeat steps 1 to 5 until no further adjustments are required.



M	L	K
J	H	G
+ OUTPUT		
● POWER		
<b>Pribusin Inc.</b>		
TWO WIRE NON-ISOLATED <b>SLIDEWIRE</b> TRANSMITTER TWN-SLX-TB		
⊘ SPAN		
⊘ ZERO		
SLIDEWIRE INPUT		
D	E	F
A	B	C


<b>Pribusin Inc. ©</b>		
CHKD:	DATE: NOV. 08/94	DRN: KS
Model: TWN-SLX-TB Two Wire Non-Isolated Slidewire Transmitter Calibration Procedure		
DWG. NO.:	105178-2	REV. A

## Enclosure Detail :



## Din Rail Detail :

	<p>A</p> <p>Rail Standard EN 50 035 Dimensions: 32 x 15 x 1.5 mm</p>
	<p>B</p> <p>Rail Standard DIN EN 50 022 Dimensions: 35 x 15 x 2.3 mm</p>
	<p>C</p> <p>Rail Standard DIN EN 50 022 Dimensions: 35 x 7.5 x 1 mm</p>
	<p>D</p> <p>Rail Standard DIN EN 50 022 Dimensions: 35 x 15 x 1.5 mm</p>

**Pribusin Inc. ©**

CHKD:

DATE: APR. 26/93

DRN: KS

Terminal Block Enclosure/  
Din Rail Detail

DWG. NO. :

104384

REV. A