



*Manufacturers of Process  
Controls and Instrumentation*

# ***Instruction Manual***

Model: *TWTS-X*

Function : *TwoWire Temperature Transmitter*

## **Input Range:**

- X=1: 0 to +100 Deg. C
- X=2: - 50 to +100 Deg. C
- X= 3: 0 to + 50 Deg. C
- X=4: -0 to + 50 Deg. C
- X=5: 0 to + 150 Deg. F
- X=6: - 40 to+120 Deg. F
- X=7: \_\_\_\_\_

Output:  4-20mA

Power:  12 to 60 VDC

Serial #: \_\_\_\_\_

(If special or required)

For Technical Assistance And Questions Call  
USA: 231-788-2900 CANADA: (905) 660-5336

## Restocking Policy

**All product returned to Pribusin Inc. in prime condition (not damaged, scratched or defaced in any way) within seven (7) months from the original date of shipment is subject to a 50% restocking charge. All product must be accompanied by a Return Authorization number (RA number) which must be obtained from Pribusin Inc. prior to returning any product.**

**After seven (7) months from the original date of shipment, products cannot be returned for restocking.**

**Custom designed products, modified products or all non-standard products may not be returned for restocking.**

## Warranty Policy

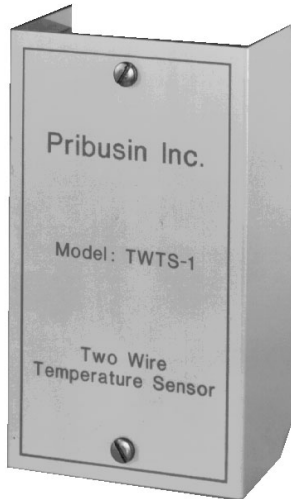
**Pribusin Inc. warrants equipment of its own manufacture to be free from defects in material and workmanship, under normal conditions of use and service, and will replace any component found to be defective, on its return to Pribusin Inc., transportation charges prepaid, within one year of its original purchase. Pribusin Inc. will extend the same warranty protection on equipment, peripherals and accessories which is extended to Pribusin Inc. by the original manufacturer. Pribusin Inc. also assumes noliability, expressed or implied, beyond its obligation to prelace any component involved. Such warranty is in lieu of all other warranties, expressed or implied.**

**Pribusin Inc.**

Manufacturers of Process  
Controls and Instrumentation

**Model: TWTS-X**

**Two Wire Temperature Transmitter**



### Standard Features:

- Easily mounts on Single Outlet Box
- Standard Metal Enclosure
- Industry Standard 4-20 mA Output
- Built-in Sensor
- Fully Loop Powered

### Function:

The TWTS-X is an ambient air temperature transmitter that easily mounts on any standard electrical outlet box. The enclosure is made of 20 gage steel and is painted beige. The enclosure has vents at the top and bottom to allow the sensor to measure the surrounding air.

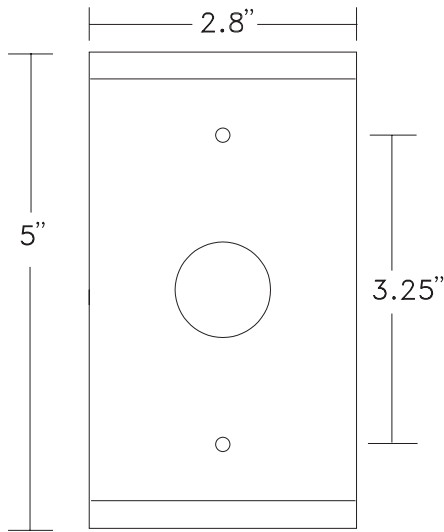
The TWTS-X provides a 4-20 mA loop-powered control signal for a 0-100% temperature presence.

### Specifications:

- Range: 0-200 Deg.C max.
- Output: 4-20 mA
- Power: Loop Powered
- Accuracy: +/- 1 Deg.C or +/- 2 Deg.F

# TWTS-X

## Dimensions:



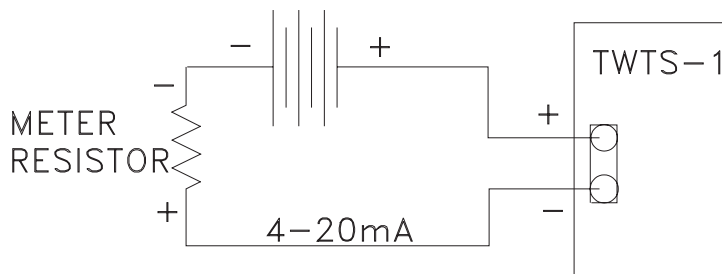
## Temperature Ranges:

TWTS-X

Input

- 1: 0 to +100 Deg.C
- 2: -50 to +100 Deg.C
- 3: 0 to +50 Deg.C
- 4: -10 to +50 Deg.C
- 5: 0 to +150 Deg.F
- 6: -40 to +120 Deg.F
- 7: Special

## Connection:



Manufactured By:

**Pribusin Inc.**

[www.pribusin.com](http://www.pribusin.com)  
[info@pribusin.com](mailto:info@pribusin.com)

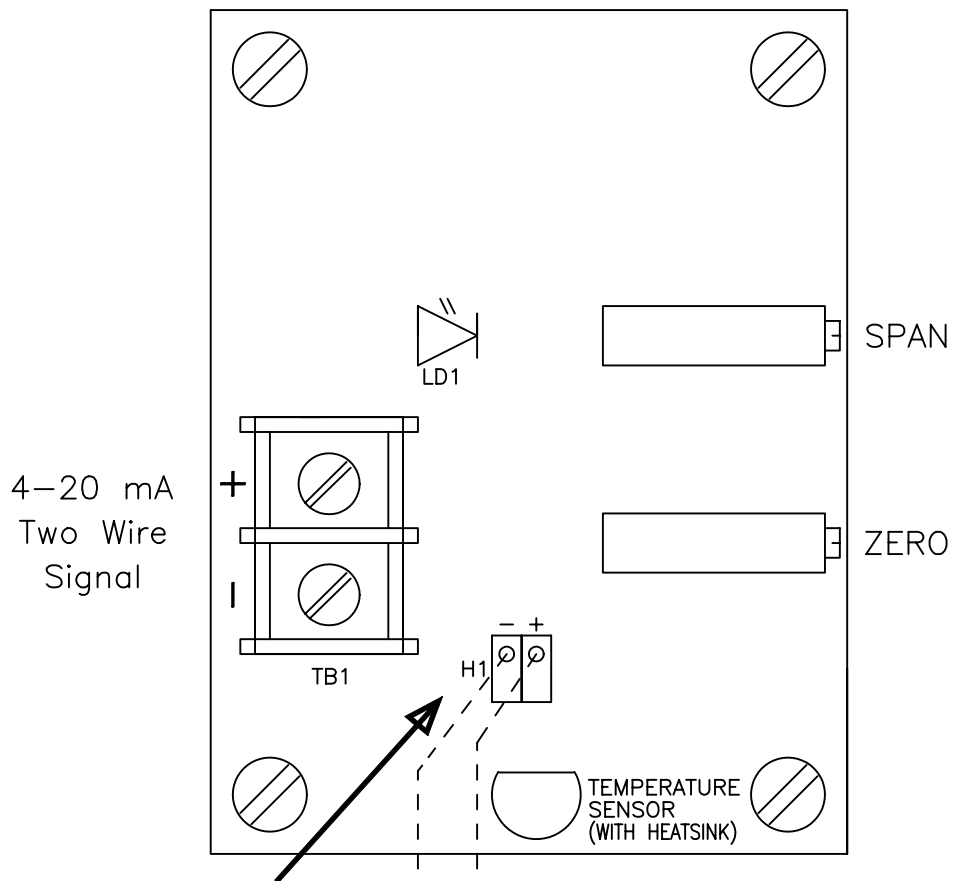
### USA:

Pribusin Inc.  
4319 E. Apple Ave.  
Muskegon, MI 49442  
Ph: (231) 788-2900  
Fx: (231) 788-2929



### CANADA:

Pribusin Inc.  
101 Freshway Dr. Unit 57  
Concord, Ontario, L4K 1R9  
Ph: (905) 660-5336  
Fx: (905) 660-4068



Note: Remove both H1  
Jumpers before Calibration.  
Replace after Calibration.

Calibration:

-50° F to +300° F      Voltage Source  $\ominus$   $\oplus$        $\approx$  -0.5V to +3V

For Example:

Range 0° C to 100° C       $\approx$  32° F to 212° F  
 $\approx$  0.32V to 2.12V

i.e.      0° C       $\approx$  0.32V  
          50° C       $\approx$  1.22V  
          100° C       $\approx$  2.12V

**Pribusin Inc. ©**

CHKD:      DATE: NOV. 23/93      DRN: MG

**Model: TWTS-1  
Two Wire Temperature Sensor  
Sensor Calibration**

DWG. NO.: 104633-3      sht 3 of 3      REV. B