

**Function:**

The Model DS4-32 is a thirty-two point, high density solid-state annunciator display designed by Pribusin Inc to be used in applications where an ultra dense, reliable and legible display is required. This display uses the latest state of the art technology in LED "light bars", giving the display such features as very low power consumption, (20 mA per point), low heat dissipation and very high reliability.

The DS4-32 features a clear front display, for applications where all the legends have to be visible in the normal state as well as the alarm state. For applications where the display needs to have a totally blank face when no alarm is present, the suffix "N" is added to the model number, (DS4-32-N) and the display will have a black front with a positive legend sheet. The alarm state will still be shown in red. The intention is for the operator to focus only on the points that go into the alarm state.

The standard display has a clear faceplate with a legend sheet behind it. The legend sheet is produced by Pribusin Inc to the end user's specifications, or the end

user can make his/her own legend sheet. (A layout grid sheet is available.) One interesting feature is that the legend may consist of any type of character or graphic symbol. The DS4-32 has thirty-two display elements, which are arranged in four rows by eight columns. Each display element has an image area of 1.54" by 0.74". The DS4-32 is compatible with any annunciator or lamp driver circuit that has a 24 VDC common. The DS4-32 is completely compatible with the Pribusin Inc. Model CP-32 remote logic annunciator.

# DS4-32

## Specifications:

### Overall Dimensions:

16.0" Wide X 5.5" High X 1.5" Deep

### With Flush Mount Bezel Dimensions:

17.5" Wide X 7.0" High X 1.5" Deep

### Image Area Per Point:

1.54" Wide (center .04" is not usable) X  
0.74" High

### Legend Character Sizing:

.08" High, max. 22 ch/line, max. 6 lines  
.10" High, max. 16 ch/line, max. 4 lines  
.125" High, max. 16ch/line, max. 4 lines

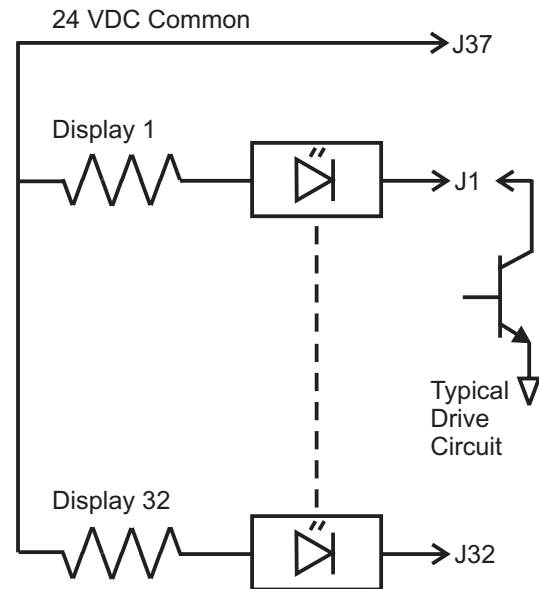
### Current Drain:

80 mA at 24 VDC

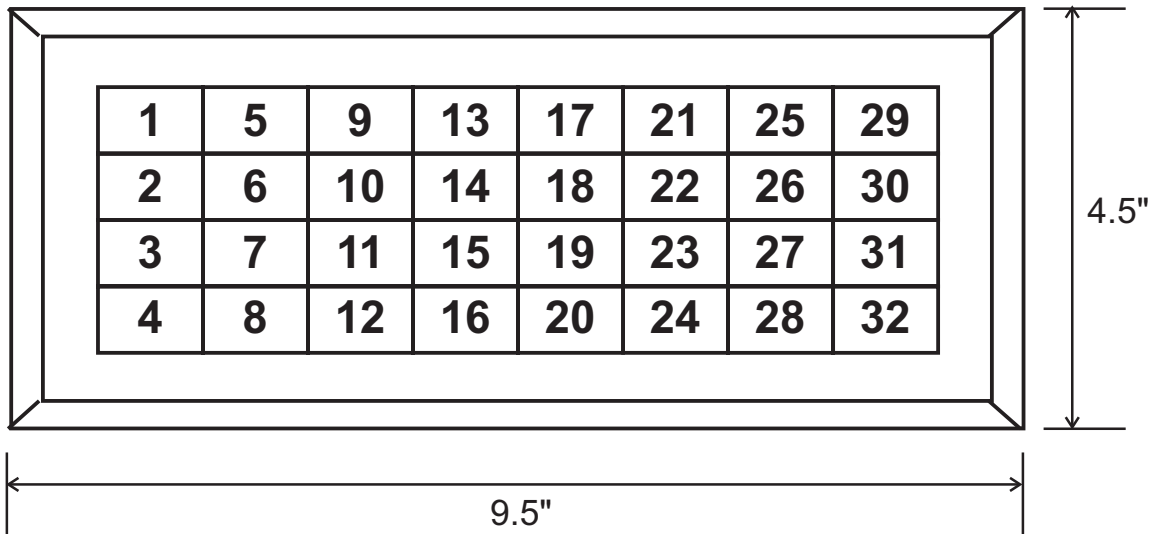
### Termination:

Amp. 37 pin connector standard

## Field Connections:



## Dimensions:



## Manufactured By:

**Pribusin Inc.**

[www.pribusin.com](http://www.pribusin.com)  
[info@pribusin.com](mailto:info@pribusin.com)

### USA:

Pribusin Inc.  
4319 E. Apple Ave.  
Muskegon, MI 49442  
Ph: (231) 788-2900  
Fx: (231) 788-2929



### CANADA:

Pribusin Inc.  
101 Freshway Dr. Unit 57  
Concord, Ontario, L4K 1R9  
Ph: (905) 660-5336  
Fx: (905) 660-4068