

Frequency To Frequency Isolator



Standard Features:

- DIN-Rail Mount (small size)
- High Input-Output-Power Isolation (800VAC Test)
- Wide Input Frequency Range (from 0 Hz to 10 KHz)
- Many Input Types & Ranges (Voltage, Dry Contact)
- 3 Standard Outputs (TTL, 24V, Dry Contact)
- Optional Buffer or Divider Function
- Adjustable Response Time for Noise Rejection
- Easy Field Calibration (Typ. calibration time < 2 min. using handheld meter only)
- Microprocessor Controlled for High Accuracy
- 24 VDC Supply for Dry Contact Input
- Power: 24 VDC
- CSA and NRTL Approval Pending

Function:

The ITC-79-FTF is a Frequency to Frequency Isolator that is easily field configurable to one of many input types such as several voltages or dry contact. Three standard outputs are available (TTL, 24 VDC, and Dry Contact) which can be used individually or simultaneously. Discrete ON and OFF threshold adjustments allow for easy & accurate input signal conditioning. Adjustable response times allow for appropriate signal filtering.

The ITC-79-FTF-BUF is similar to the -FTF but has a microprocessor that can store incoming pulses in a buffer and release them slowly to a slower counting device.

The ITC-79-FTF-DIV is another variation of the -FTF and has the capability to divide the incoming frequency by any number between 1 and 65535.

Calibration:

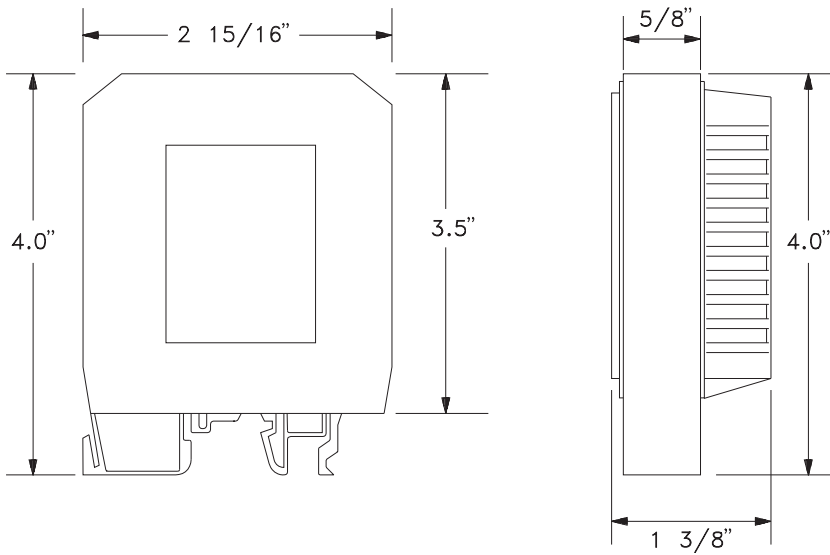
The ITC-79-FTF has individual ON and OFF threshold adjustment using multiturn potentiometers. All potentiometers have a test point where a voltage of -10 to +10 VDC indicates the threshold level as -100% to +100%. This allows for easy field calibration with the instrument running.

Specifications:

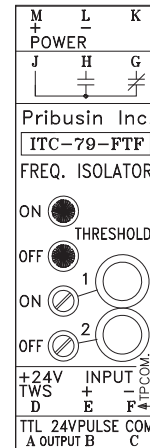
- Isolation: Input to Output to Power 800 VAC (test)
- Operating Temperature: -40 Deg.C. to +50 Deg.C.
- Temperature Effects: +/-0.5% max., 0.2% typ.
(for 40 Deg.C. change)
- Contact Rating: 0.4A @ 125VAC
2A @ 30VDC

ITC-79-FTF

Dimensions:



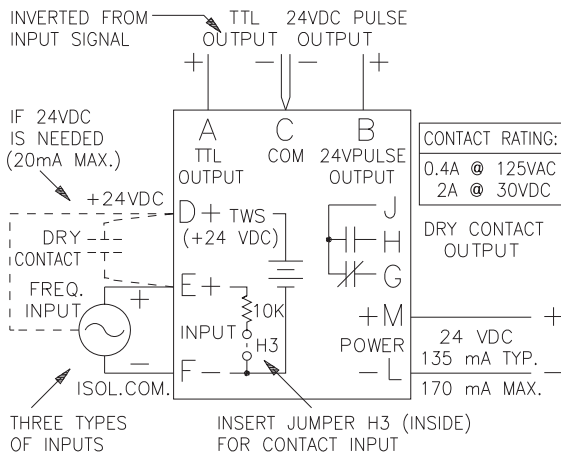
Calibration:



Calibration is made easy by multi turn potentiometers with test jacks for meter connection.

Connection:

ITC-79-FTF NORMAL CONNECTION



Available Models:

ITC-79-FTF: Frequency Isolator
Outputs: TTL, 24VDC, Dry Contact

ITC-79-FTF-BUF: Frequency Isolator with Buffer
Outputs: TTL, 24VDC, Dry Contact
Function: Store Pulses & Release Slowly

ITC-79-FTF-DIV: Frequency Isolator with Divider
Outputs: TTL, 24VDC, Dry Contact
Function: Divide Input by Division Factor

Manufactured By:



www.pribusin.com
info@pribusin.com

USA:
Pribusin Inc.
743 Marquette Ave
Muskegon, MI 49442
Ph: (231) 788-2900
Fx: (231) 788-2929



CANADA:
Pribusin Inc.
101 Freshway Dr. Unit 57
Concord, Ontario, L4K 1R9
Ph: (905) 660-5336
Fx: (905) 660-4068