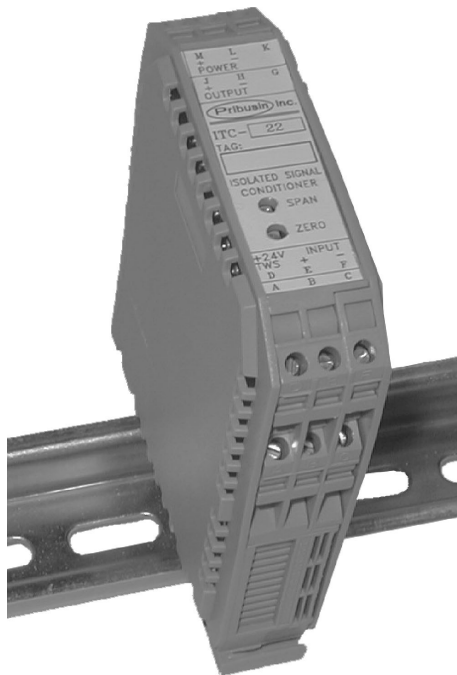


**Pribusin Inc.**

Manufacturers of Process  
Controls and Instrumentation

**Model: ITC-7X-SLX**

**Isolated Slidewire Conditioner**



### Standard Features:

- High Input-Output-Power Isolation (1500VAC Test)
- Small Size - Fits on Terminal Block Rail
- Industry Standard Inputs and Outputs (see back)
- High Output Drive (1000 Ohms for 4-20 mA)
- Power: 24 VDC, 80 mA
- High Noise Rejection
- CSA and NRTL Approved (LR 51078)

### Function:

The ITC-7X-SLX converts a potentiometer (slidewire) input to an isolated analog output. The ITC-7X-SLX provides high isolation from Input to Output to Power in a small, easy to install package. The universal DIN rail mount often makes it possible to install the ITC-7X-SLX right next to other instruments that it is to be wired to. The many different input and output configurations allow it to be used in a great variety of millivolt applications ranging from PLC front end conditioning to current measurement across a shunt.

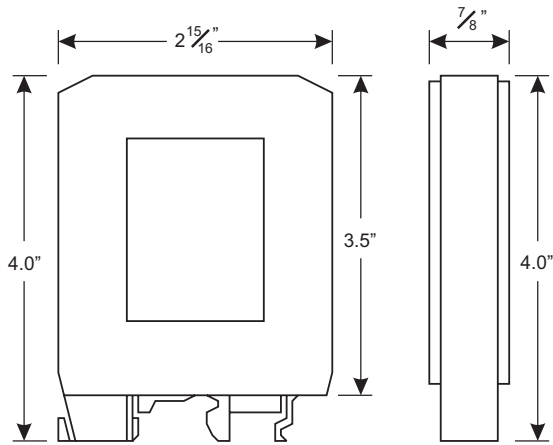
The high output drive (1000 Ohms @ 4-20 mA) allows the ITC-7X-SLX to drive several other instruments directly from its output.

### Specifications:

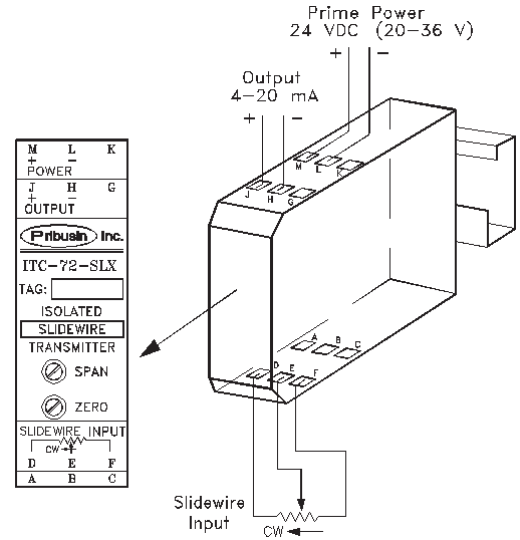
- Isolation: 1500 VAC Input to Output to Power (Test)
- Power: 24 VDC (19-29VDC) @ 80 mA
- Accuracy/Linearity: +/-0.2% max., +/-0.1% typ.
- Loop Resistance
- Change Effects: -0.03% per 100 Ohms change (4-20 mA only) calibrated at 250 ohms
- Common Mode Rej.: at 60 Hz = 120 dB
- Response Time: 100 msec to 63% of final value  
500 msec to 99% of final value
- Temperature Effects: +/- 0.025% per Deg. C.
- Span Drift: +/- 0.025% per Deg. C.
- Zero Drift: 1 uV per mV offset per Deg. C. OR  
1 uV per Deg. C., whichever is greater
- Drift at 25 Deg. C.: 24 Hours: +/- 0.1%  
30 Days: +/- 0.2%
- Operating Temperature: -40 Deg. C. to + 50 Deg. C.
- Coupling Capacitance: Input-Output-Power = 20 pF

# ITC-7X-SLX

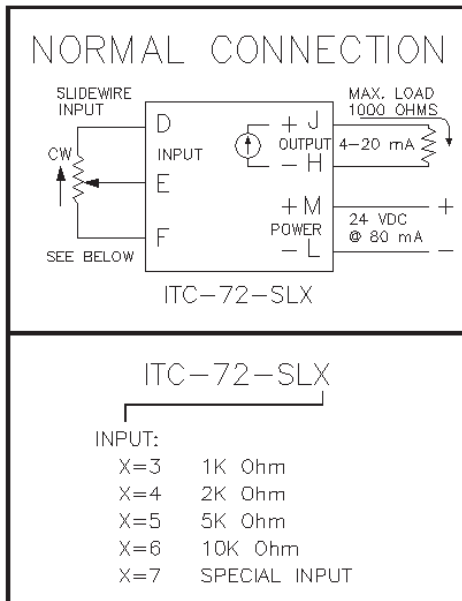
## Dimensions:



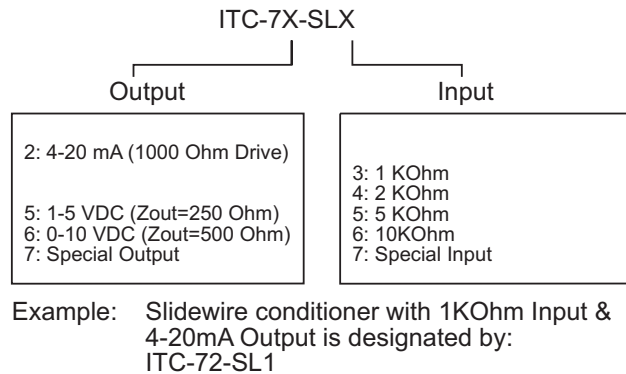
## Connection:



## Connection:



## Model Designation:



## Manufactured By:

**Pribusin Inc.**

www.pribusin.com  
info@pribusin.com

### USA:

Pribusin Inc.  
4319 E. Apple Ave.  
Muskegon, MI 49442  
Ph: (231) 788-2900  
Fx: (231) 788-2929



### CANADA:

Pribusin Inc.  
101 Freshway Dr. Unit 57  
Concord, Ontario, L4K 1R9  
Ph: (905) 660-5336  
Fx: (905) 660-4068