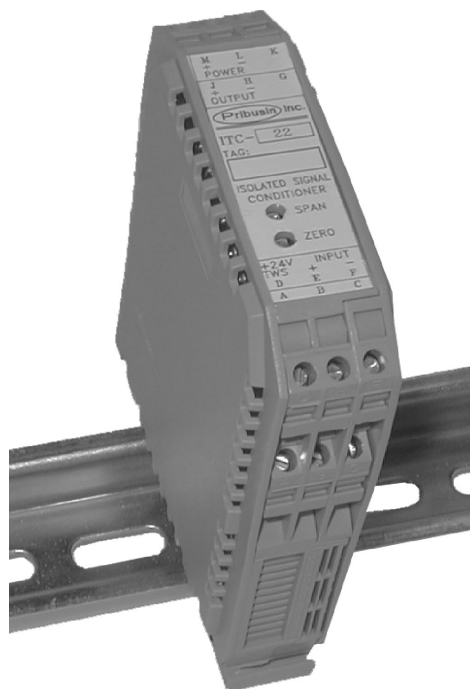


**Pribusin Inc.**

Manufacturers of Process  
Controls and Instrumentation

**Model: ITC-XX**

**Isolated Terminal Signal Conditioner**



### Standard features:

- High Input-Output-Power Isolation (1500VAC Test)
- Low Input Impedance on 4-20mA Inputs
- Small Size - Fits on Terminal Block Rail
- Industry Standard Inputs and Outputs (see back)
- High Output Drive (1000 Ohms for 4-20 mA)
- Two Wire Supply Option for Two Wire Transmitters
- Power: 24 VDC, 80 mA
- High Noise Rejection
- CSA and NRTL Approved (LR 51078)

### Function:

The ITC-XX provides high isolation from Input to Output to Power in a small, easy to install package. The universal DIN rail mount often makes it possible to install the ITC-XX right next to the instrument that is to be isolated. The many different input and output configurations allow it to be used in a great variety of applications ranging from PLC front end conditioning to adding an extra loop with lots of drive to an existing, almost fully loaded, loop.

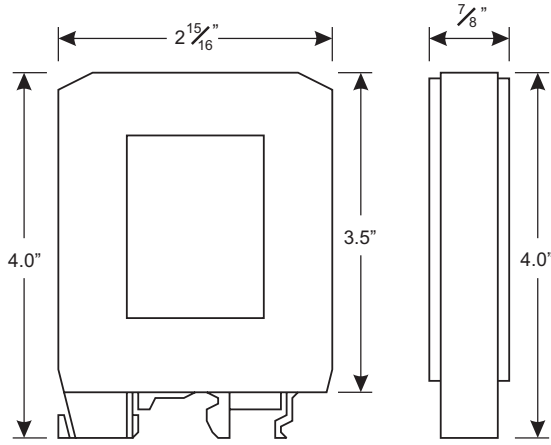
The high output drive (1000 Ohms @ 4-20 mA) allows the ITC-XX to drive several other instruments directly from its output. The standard two wire supply allows the ITC-XX to be used with two wire field transmitters such as differential pressure transducers, temperature sensors, etc.

### Specifications:

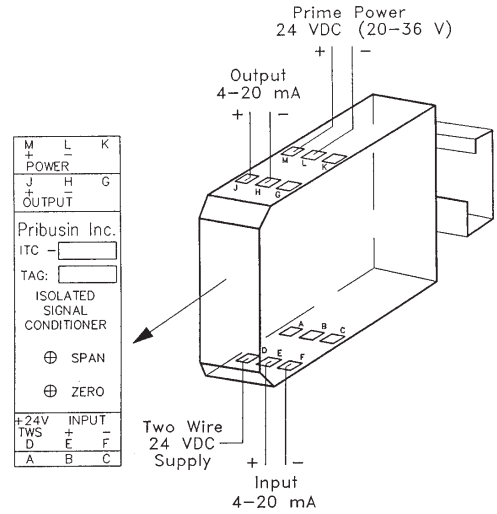
- Isolation: 1500 VAC Input to Output to Power (Test)
- Input Impedance (4-20mA only): 50 Ohms
- Power: 24 VDC (19-29VDC) @ 80 mA  
(160 mA if two wire supply used)
- Accuracy/Linearity: +/-0.1% max., +/-0.05% typ.
- Loop Resistance
- Change Effects: -0.03% per 100 Ohms change  
(4-20 mA only) calibrated at 250 ohms
- Common Mode Rej.: at 60 Hz = 120 dB
- Response Time: 50 msec to 63% of final value  
250 msec to 99% of final value
- Temperature Effects: +/- 0.5% max., +/-0.2% typ.  
(for 40 Deg. C. change)
- Drift at 25 Deg. C.: 24 Hours: +/- 0.03%  
30 Days: +/-0.1%
- Operating Temperature: -40 Deg. C. to +50 Deg. C.
- Coupling Capacitance: Input-Output-Power = 20 pF

# ITC-XX

## Dimensions:

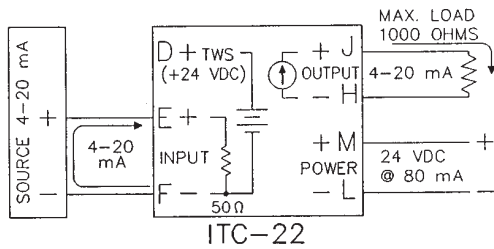


## Connection:

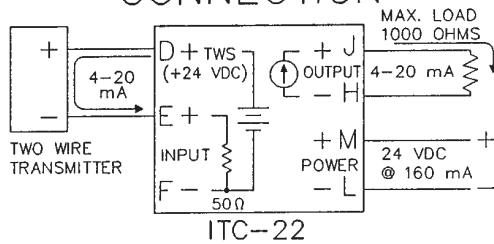


## Connection:

### NORMAL CONNECTION



### TWO WIRE INPUT CONNECTION



## Model Designation:

ITC-XX

Input

Output

- 1: 1-5 mA (Zin=200 Ohm)
- 2: 4-20 mA (Zin=50 Ohm)
- 3: 0-1mA (Zin=1K Ohm)
- 4: 10-50 mA (Zin=20 Ohm)
- 5: 1-5 VDC (Zin=1Meg Ohm)
- 6: 0-10 VDC (Zin=1Meg Ohm)
- 7: Special Input

- 2: 4-20 mA (1000 Ohm Drive)
- 5: 1-5 VDC (Zout=250 Ohm)
- 6: 0-10 VDC (Zout=500 Ohm)
- 7: Special Output

Example: Isolater with 1-5VDC Input & 4-20mA Output is designated by: ITC-52

Manufactured By:

**Pribusin Inc.**

www.pribusin.com  
info@pribusin.com

**USA:**  
Pribusin Inc.  
4319 E. Apple Ave.  
Muskegon, MI 49442  
Ph: (231) 788-2900  
Fx: (231) 788-2929



**CANADA:**  
Pribusin Inc.  
101 Freshway Dr. Unit 57  
Concord, Ontario, L4K 1R9  
Ph: (905) 660-5336  
Fx: (905) 660-4068