

### Function:

The MTS-4AO is a 4 channel analog output module. It provides analog output capability for an MTS series telemetry system. The MTS-4AO communicates with its counterpart, the MTS-4AI analog input module.

Outputs are isolated from each other to provide added protection and to prevent ground loops. Output resolution is 16-bits for high accuracy.

Outputs can be wired to be sinking or sourcing depending on the 4-20mA signal source.

Deployment and installation is as simple as plugging the needed I/O modules into the communications module and assigning unique module ID's. Power and communication for the modules are provided through an integral bus.

### Standard Features:

4 Analog Outputs (4-20mA)

Outputs are Isolated to 1.5kV

24V Power Supply Output for Sourcing 4-20mA

Integrated Power & Data Bus Reduces Wiring

Modular Design Provides Maximum Flexibility

No Programming Required - Easy to Configure

Microprocessor Controlled for High Accuracy

Power: 24 VDC (From Integrated Bus)

Easy Future Expansion

Class I, Div. 2 Approved

### Configuration:

The MTS-4AO output module must be paired up with the MTS-4AI input module. Both modules must be set to the same ID with the ID Selector Switches. Each output can be wired as either sinking or sourcing type.

### Specifications:

Outputs: 4-20mA sinking

4-20mA sourcing (max. 20mA)

Power Consumption: 0.5VA min., 2.5VA max.

Isolation: 1.5kV, Optically Isolated

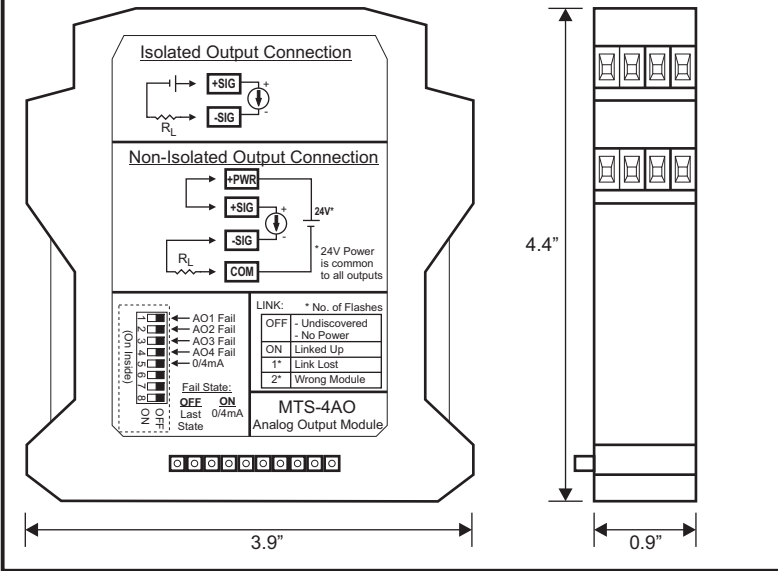
Approvals: ETL 3098704:

Class I & II, Div. 2 and Class III, Div. 1&2;

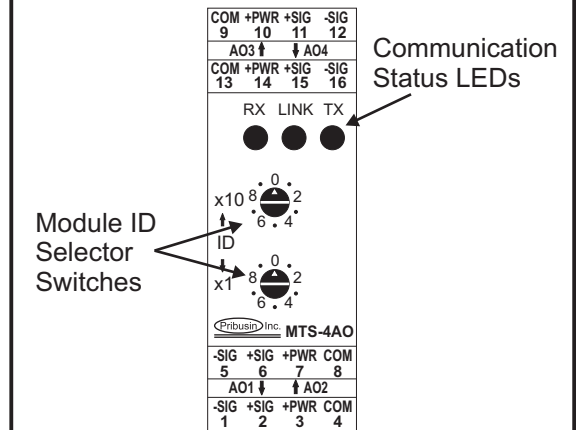
UL 508; CSA-C22.2 No. 14-95

# MTS-4AO

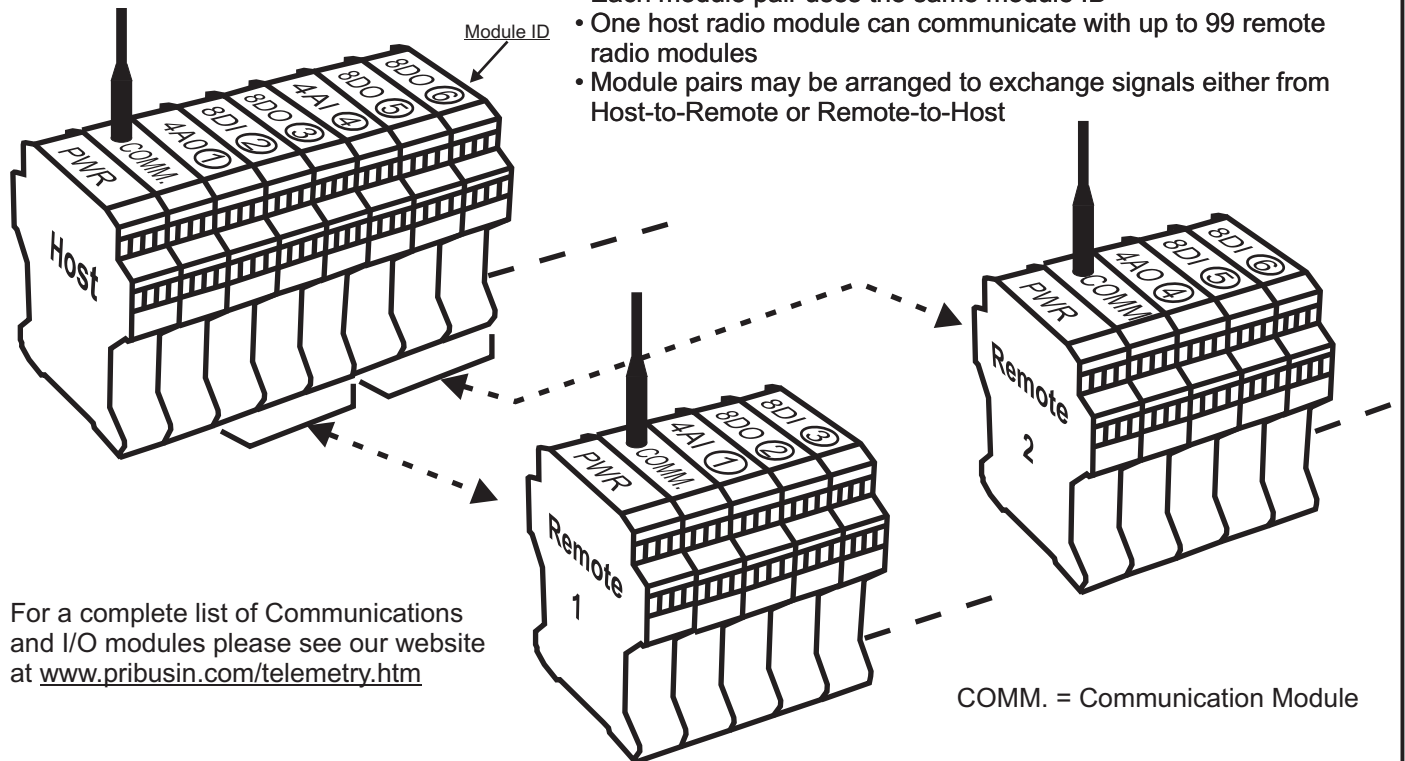
## Module Dimensions:



## Top View:



## System Example:



## Manufactured By:



[www.pribusin.com](http://www.pribusin.com)  
[info@pribusin.com](mailto:info@pribusin.com)

### USA:

Pribusin Inc.  
743 Marquette Ave.  
Muskegon, MI 49442  
Ph: (231) 788-2900  
Fx: (231) 788-2929



### CANADA:

Pribusin Inc.  
101 Freshway Dr. Unit 57  
Concord, Ontario, L4K 1R9  
Ph: (905) 660-5336  
Fx: (905) 660-4068