

Function:

The MTS-4DIO is a 4 channel digital input and output module. It provides bidirectional digital input and output capability for an MTS series telemetry system. There are 4 digital inputs (wet or dry) and 4 Digital outputs (form 'A' Relay contacts). The MTS-4DIO communicates with another MTS-4DIO module.

Each input can be configured as a dry or wet contact input. An adjustable ON/OFF delay can be invoked to provide hysteresis. The input status of each channel is indicated individually. While an input is in its ON or OFF delay mode the indicator flashes.

Relay outputs can be configured to go into a predetermined state during communication fail events.

Deployment and installation is as simple as plugging the needed I/O modules into the communications module and assigning unique module ID's. Power and communication for the modules are provided through an integral bus.

Standard Features:

- 4 Digital Inputs & 4 Digital Outputs (Relay Contacts)
- Inputs Individually Selectable as Dry or Wet Contacts
- Selectable Fault Condition State for Digital Outputs
- Input & Output Status Indication
- Adjustable On/Off Delay For Input Hysteresis
- Integrated Power & Data Bus Reduces Wiring
- Modular Design Provides Maximum Flexibility
- No Programming Required - Easy to Configure
- Microprocessor Controlled for High Accuracy
- Power: 24 VDC (From Integrated Bus)
- Easy Future Expansion

Configuration:

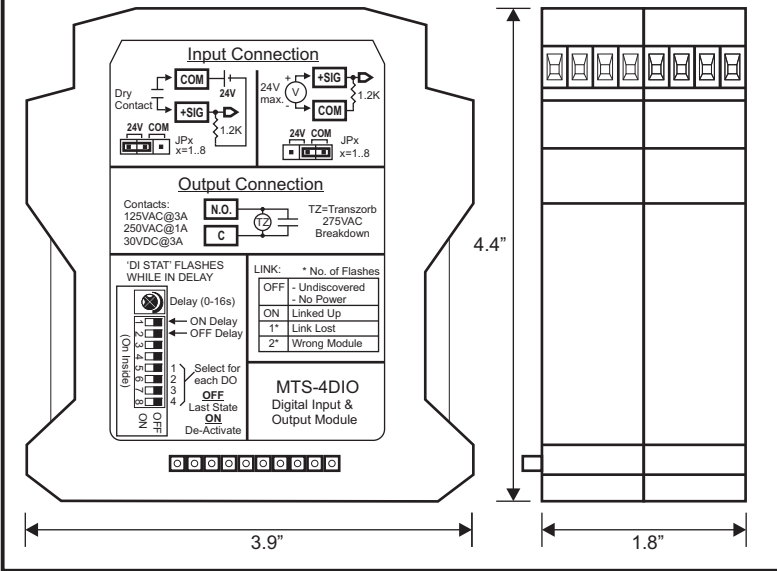
The MTS-4DIO module must be paired up with another MTS-4DIO module. Both modules must be set to the same ID with the ID Selector Switches. Each input can be selected as 'Dry Contact' input or 'DC Signal' input with jumpers JP1-JP4. An ON/OFF delay can be imposed from 0-16 seconds to filter out nuisance signals or noise.

Specifications:

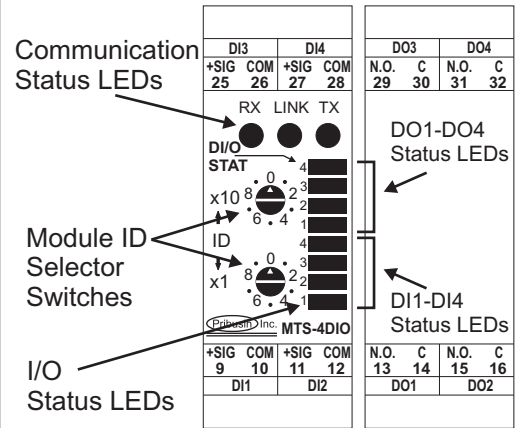
- Inputs: 4 Dry Contact (24V excitation from Module) or 4 DC Signal (0-24VDC max.)
- Input Impedance: 1200 ohms
- Reverse Polarity Protection (Input): Yes
- Outputs: 4 SPST Relay Contacts
- Contact Rating: 125VAC/3A; 250VAC/1A; 30VDC/3A
- Contact Arc Suppression: Yes (MOV)
- Power Consumption: 0.5VA (All I/O Open)
4.8VA (All I/O Closed)

MTS-4DIO

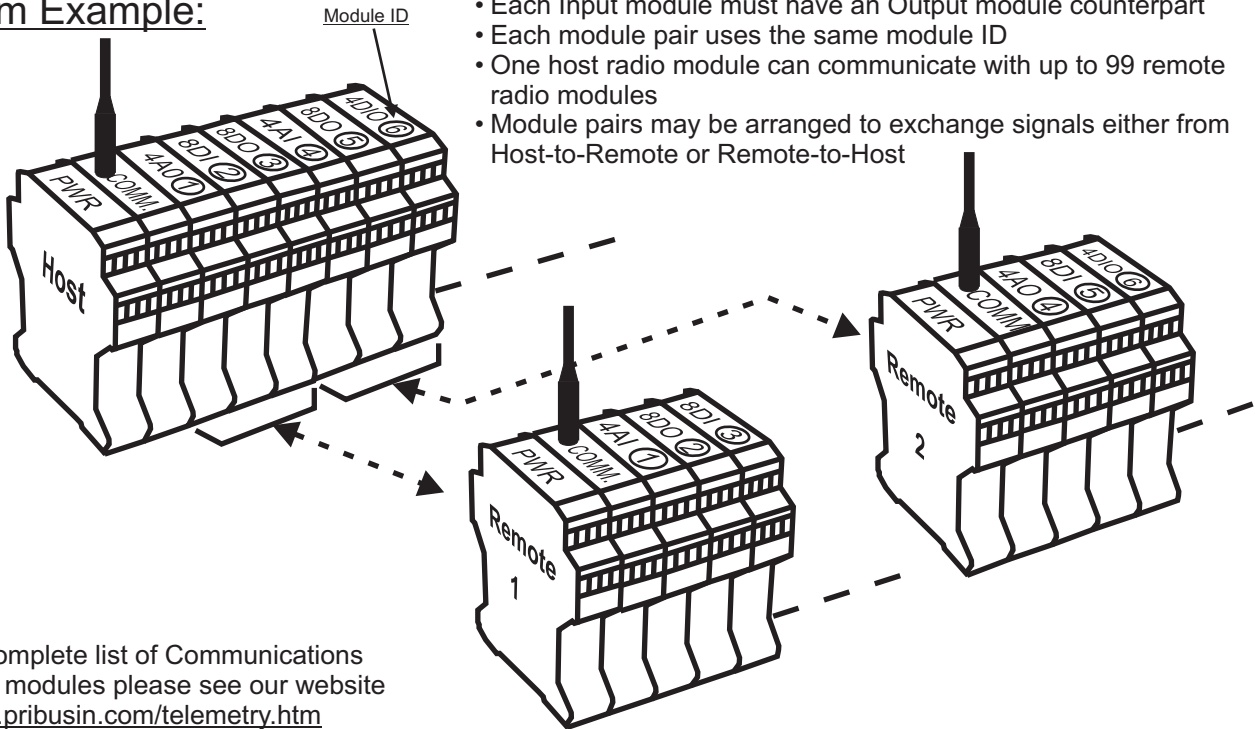
Module Dimensions:



Top View:



System Example:



For a complete list of Communications and I/O modules please see our website at www.pribusin.com/telemetry.htm

COMM. = Communication Module

Manufactured By:



www.pribusin.com
info@pribusin.com

USA:

Pribusin Inc.
 743 Marquette Ave.
 Muskegon, MI 49442
 Ph: (231) 788-2900
 Fx: (231) 788-2929



CANADA:

Pribusin Inc.
 101 Freshway Dr. Unit 57
 Concord, Ontario, L4K 1R9
 Ph: (905) 660-5336
 Fx: (905) 660-4068