

Function:

The MTS-8DI is an 8 channel digital input module. It provides digital input capability for an MTS series telemetry system. The MTS-8DI communicates with its counterpart, the MTS-8DO digital output module.

Each input can be configured as a dry or wet contact input. An adjustable ON/OFF delay can be invoked to provide hysteresis. The input status of each channel is indicated individually. While an input is in its ON or OFF delay mode the indicator flashes.

Deployment and installation is as simple as plugging the needed I/O modules into the communications module and assigning unique module ID's. Power and communication for the modules are provided through an integral bus.

Standard Features:

- 8 Digital Inputs
- Inputs Individually Selectable as Dry or Wet Contacts
- Input Status Indication
- Adjustable On/Off Delay For Hysteresis
- Integrated Power & Data Bus Reduces Wiring
- Modular Design Provides Maximum Flexibility
- No Programming Required - Easy to Configure
- Microprocessor Controlled for High Accuracy
- Power: 24 VDC (From Integrated Bus)
- Easy Future Expansion
- Class I, Div. 2 Approved

Configuration:

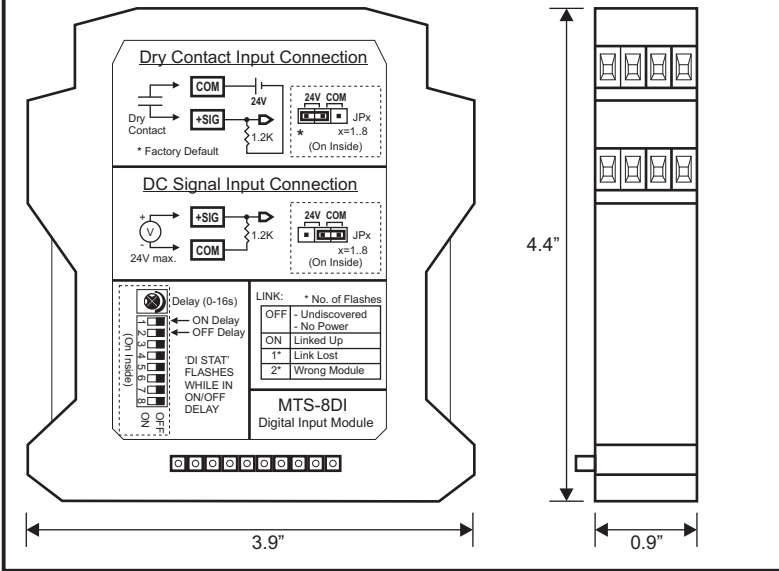
The MTS-8DI input module must be paired up with the MTS-8DO output module. Both modules must be set to the same ID with the ID Selector Switches. Each input can be selected as 'Dry Contact' input or 'DC Signal' input with jumpers JP1-JP8. An ON/OFF delay can be imposed from 0-16 seconds to filter out nuisance signals or noise.

Specifications:

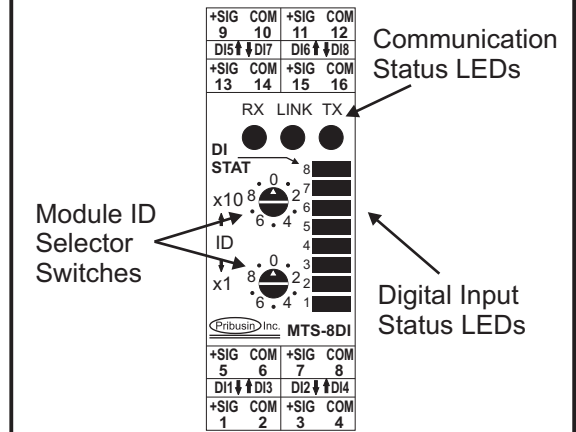
- Inputs: Dry Contact (excited with 24V from Module)
DC Signal (0-24VDC max.)
- Input Impedance: 1200 ohms
- Reverse Polarity Protection: Yes
- Power Consumption: 0.5VA (All Inputs Open)
4.8VA (All Inputs Closed)
- Approvals: ETL 3098704:
Class I & II, Div. 2 and Class III, Div. 1&2;
UL 508; CSA-C22.2 No. 14-95

MTS-8DI

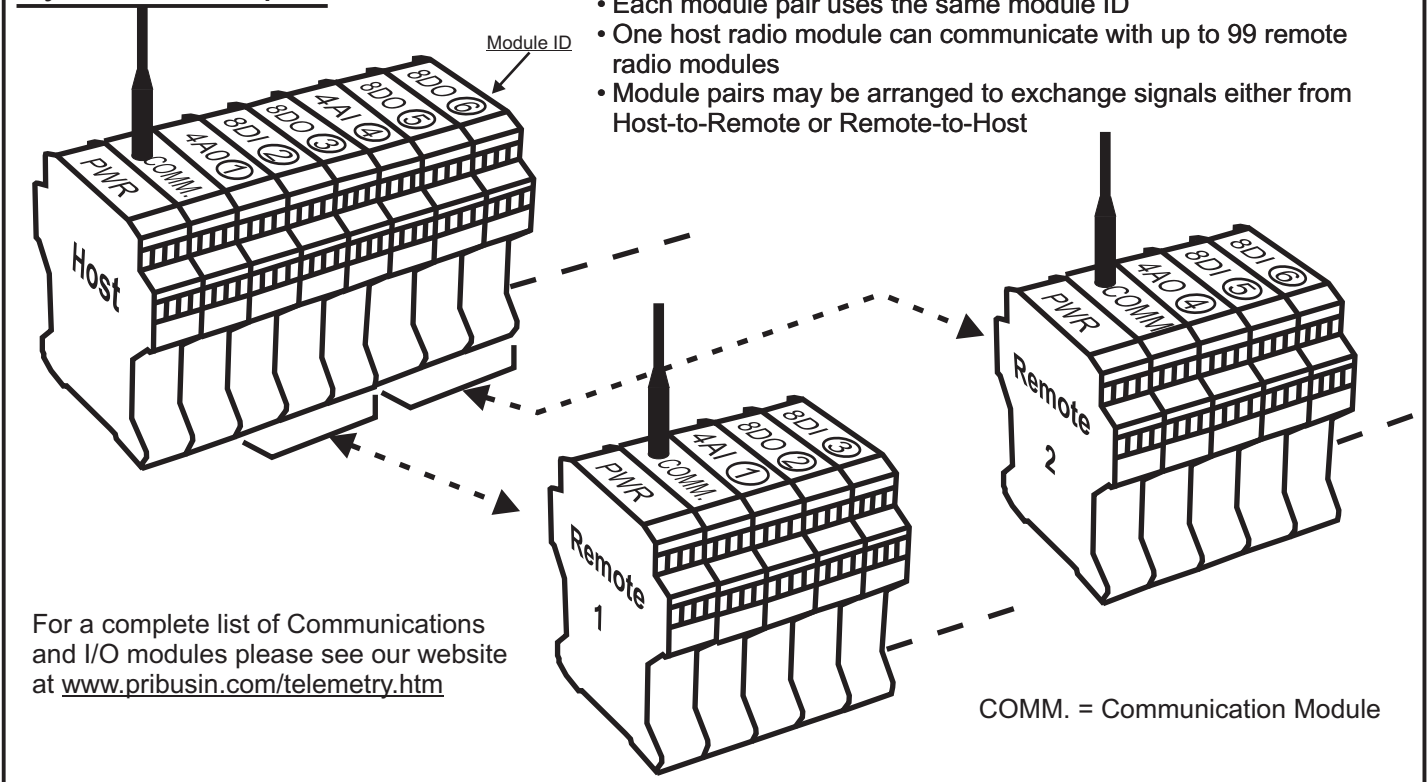
Module Dimensions:



Top View:



System Example:



Manufactured By:

Pribusin Inc.

www.pribusin.com
info@pribusin.com

USA:

Pribusin Inc.
 743 Marquette Ave.
 Muskegon, MI 49442
 Ph: (231) 788-2900
 Fx: (231) 788-2929



CANADA:

Pribusin Inc.
 101 Freshway Dr. Unit 57
 Concord, Ontario, L4K 1R9
 Ph: (905) 660-5336
 Fx: (905) 660-4068