



Standard Features:

DIN-Rail Mounted (small size)

Wide Input Frequency Ranges (from 5 Hz to 10 KHz)

Industry Standard Output: 4-20 mA, 1-5 VDC, more (see back)

Special Low Frequency Input Version Available - Model NTC-7X-FRL (from 0.005 Hz to 10 Hz)

Easy Field Calibration (Typ. calibration time < 2 min. using handheld meter only)

Microprocessor Controlled for High Accuracy

24 VDC Supply for Open Collector Input or Dry Contact Input

Power: 24 VDC

High Noise Rejection

CSA and NRTL Approved

Function:

The NTC-7X-FRX is a microprocessor controlled Frequency to analog output converter that is easily field configurable to any frequency input from 0-5 Hz to 0-10 KHz. Adjustments to the input settings can be made while the instrument is operating. This flexibility combined with easy field calibration allows for the fine tuning of a process on site with little effort. All that is required to change the calibration settings is a voltmeter and a small screwdriver.

A special low frequency input version (FRL) is available for frequency inputs between 0.005 Hz and 10 Hz.

For more specialized frequency inputs, another instrument the NTC-7X-FRW offers more flexibility by providing adjustability for both the 0% input frequency and the 100% input frequency. This allows for a specific frequency window to be extracted. See Model NTC-7X-FRW Data Sheet.

Calibration:

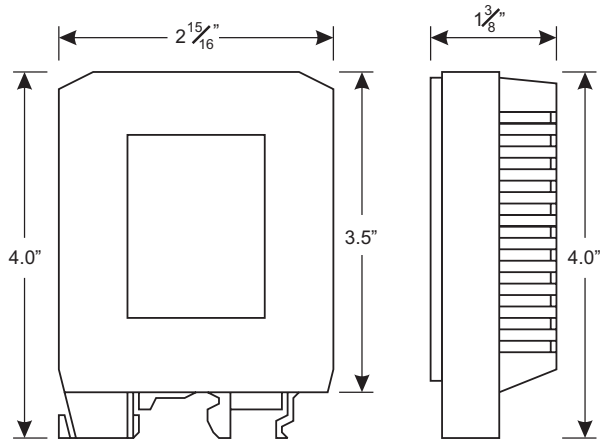
The NTC-7X-FRX has 11 input frequency ranges that are selectable via jumpers inside the instrument. Each range offers full adjustability from its minimum to its maximum frequency via a multi turn potentiometer. The potentiometer has a test point where a voltage of 0-5 VDC indicates a setting of 0-100%. This allows for easy field calibration with the instrument running.

Specifications:

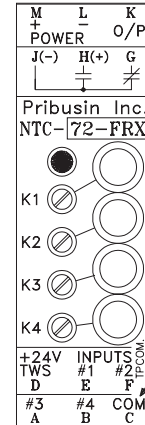
Accuracy/Linearity: +/-0.3% max., +/-0.1% typ.
Operating Temperature: -40 Deg.C. to +50 Deg.C.
Temperature Effects: +/-0.5% max., 0.2% typ.
(for 40 Deg.C. change)

NTC-7X-FRX

Dimensions:



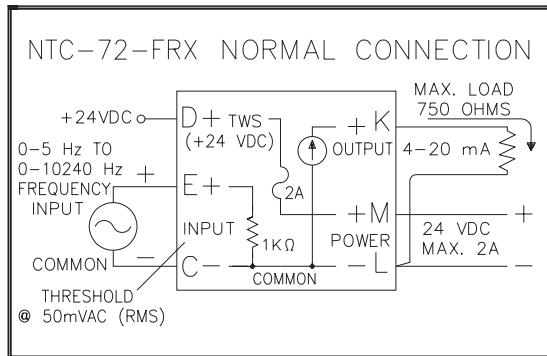
Calibration:



Calibration is made easy by multi turn potentiometers with test jacks for meter connection.

Connection:

Shown here for 4-20mA Output



Model Designation:

NTC-7X-FRX

Output

Other Models

- 1: 1-5 mA (3000 Ohm Drive)
- 2: 4-20 mA (750 Ohm Drive)
- 3: 0-1mA (15000 Ohm Drive)
- 4: 10-50 mA (250 Ohm Drive)
- 5: 1-5 VDC (Zout=250 Ohm)
- 6: 0-10 VDC (Zout=500 Ohm)
- 7: Special Output

- FRL: Low Input Frequency
- FRW: Frequency Window (See NTC-7X-FRW)
- FRT: Frequency Trip (See NTC-7X-FRT)

Example: A Frequency Converter with a 1-5 VDC output with 24 VDC power is designated by: NTC-75-FRX

Options:

(Add letters to end of Model Number)

R - RS485 Serial Output

Manufactured By:

Pribusin Inc.

www.pribusin.com
info@pribusin.com

USA:

Pribusin Inc.
4319 E. Apple Ave.
Muskegon, MI 49442
Ph: (231) 788-2900
Fx: (231) 788-2929



CANADA:

Pribusin Inc.
101 Freshway Dr. Unit 57
Concord, Ontario, L4K 1R9
Ph: (905) 660-5336
Fx: (905) 660-4068