



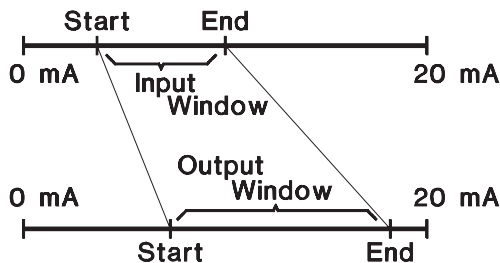
**Standard Features:**

- DIN-Rail Mount (small size)
- Industry Standard Inputs: 0-20 mA, 0-5 VDC, and more (see back)
- Industry Standard Output: 0-20 mA, 0-5 VDC, more (see back)
- Both Input and Output can be Scaled for Maximum Flexibility
- Output Signal has Reverse Acting Option
- Easy Field Calibration (Typ. calibration time < 2 min. using handheld meter only)
- Microprocessor Controlled for High Accuracy
- Two Wire Supply for Two Wire Transmitters
- Power: 24 VDC
- High Noise Rejection
- CSA and NRTL Approved

**Function:**

The NTC-XX-RWN is a microprocessor controlled range window transmitter. It is easily field configurable for any input and output range. The selected input range is then linearly converted to the selected output range. In addition, the output signal can be reversed to invert it from the output.

This instrument is ideal in an application where a transmitter is used only part of its full working range to provide a full scale output of 0-20 mA, 0-5 VDC, etc.



**Calibration:**

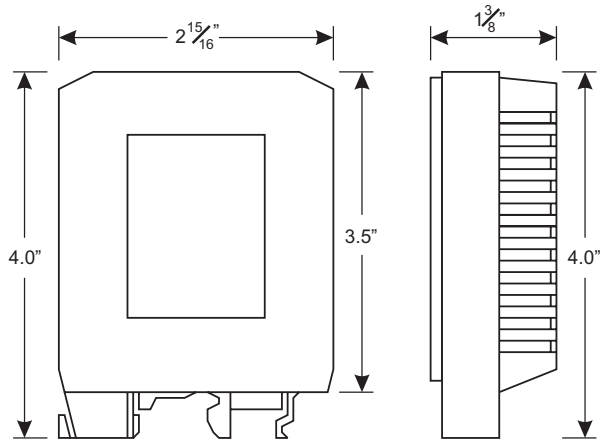
Four potentiometers are used to set the input and output range start and end points. These points are adjustable from 0-100% and can be read with a voltmeter at the Test Points. The Test Points show a voltage of 0-5 VDC for a setting of 0-100%.

**Specifications:**

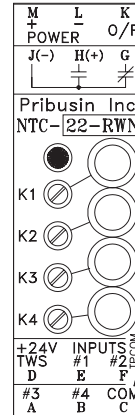
- Accuracy/Linearity: +/- 0.3% max., +/- 0.1% typ. (@ Output=Input)
- Operating Temperature: -40 Deg.C. to +50 Deg.C.
- Temperature Effects: +/-0.5% max., +/-0.2% typ. (for 40 Deg.C. change)

# NTC-XX-RWN

## Dimensions:



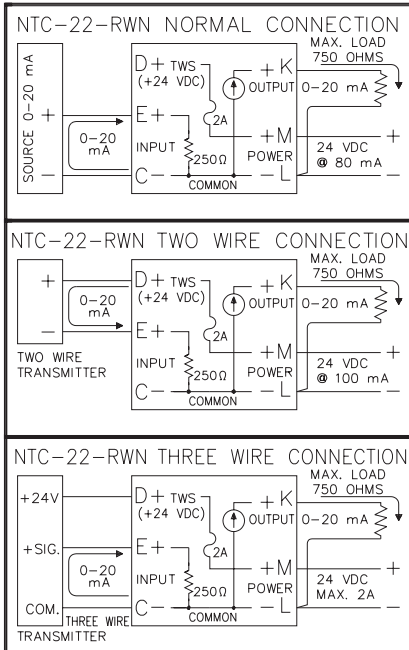
## Calibration:



Calibration is made easy by multi turn potentiometers with test jacks for meter connection.

## Connection:

Shown here for 4-20mA Output



## Model Designation:

NTC-XX-RWN

Input

Output

- 1: 0-5 mA (Zin=1K Ohm)
- 2: 0-20 mA (Zin=250 Ohm)
- 3: 0-1mA (Zin=5K Ohm)
- 4: 0-50 mA (Zin=100 Ohm)
- 5: 0-5 VDC (Zin=1Meg Ohm)
- 6: 0-10 VDC (Zin=1Meg Ohm)
- 7: Special Input

- 1: 0-5 mA (3000 Ohm Drive)
- 2: 0-20 mA (750 Ohm Drive)
- 3: 0-1 mA (15000 Ohm Drive)
- 4: 0-50 mA (250 Ohm Drive)
- 5: 0-5 VDC (Zout=250 Ohm)
- 6: 0-10 VDC (Zout=500 Ohm)
- 7: Special Output

Example: Range Window Transmitter with 0-20 mA Input and 0-20 mA Output and 24VDC Power is designated by: NTC-22-RWN

## Options: (Add letters to end of Model Number)

R - RS485 Serial Output

Manufactured By:



www.pribusin.com  
info@pribusin.com

### USA:

Pribusin Inc.  
4319 E. Apple Ave.  
Muskegon, MI 49442  
Ph: (231) 788-2900  
Fx: (231) 788-2929



### CANADA:

Pribusin Inc.  
101 Freshway Dr. Unit 57  
Concord, Ontario, L4K 1R9  
Ph: (905) 660-5336  
Fx: (905) 660-4068