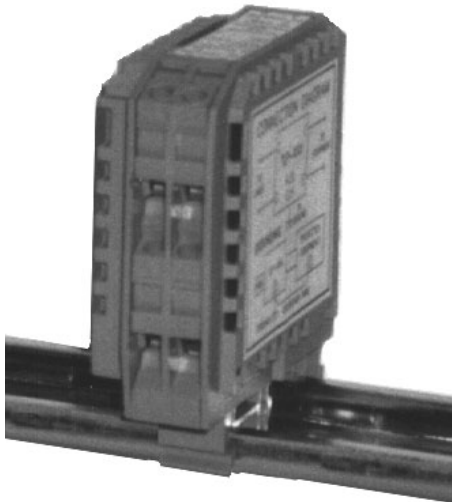


Pribusin Inc.

Manufacturers of Process
Controls and Instrumentation

Model: OTC-22

Loop-Powered Optical Signal Isolator



Standard features:

Ideal for PLC-to-Transmitter Interfacing
Connects to PLC like a Two-Wire Transmitter
High Input-Output-Power Isolation (1500VAC Test)
Small Size - Fits on Terminal Block Rail
Fast Response Time (typ. 1 msec)
Industry Standard 4-20mA Input and Output
Loop-Powered - No External Power Required
High Noise Rejection
CSA and NRTL Approved (LR 51078)

Function:

The OTC-22 provides high isolation from Input to Output in a small, easy to install package. The universal DIN rail mount often makes it possible to install the OTC-22 right next to the instrument that is to be isolated.

The OTC-22 is optically isolated to eliminate all electrical interference from input to output. Two-wire inputs and outputs require no external power to be applied to the OTC-22. The unit simply uses the existing power in the 4-20mA input & output loops. This makes it very easy to retrofit existing installations that show signal instability due to ground loops etc.

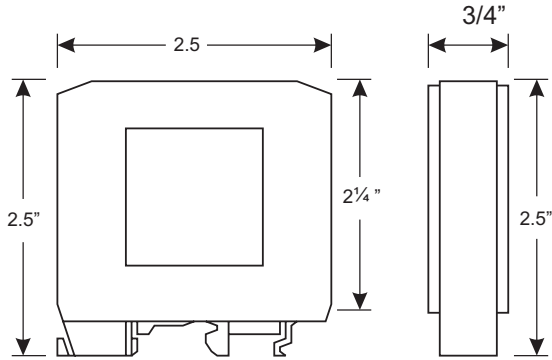
These properties make the OTC-22 ideal for front-end interfacing on PLC's that have two-wire inputs only. The OTC-22 essentially acts like a two-wire transmitter on the PLC side (OTC-22 output) and like a standard load on the transmitter side (OTC-22 input).

Specifications:

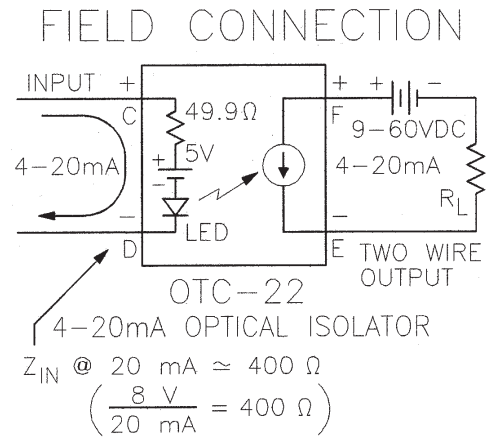
Isolation: 1500 VAC Input to Output to Power (Test)
Power: Loop-Powered
(8.7V min. Required in 4-20mA loops)
Accuracy/Linearity: +/-0.1% max., +/- 0.05% typ.
Common Mode Rejection.: at 60 Hz = 120 dB
Response Time: 1 msec to 99% of final value
Temperature Effects: +/- 0.2% max., +/-0.1% typ.
(for 50 Deg. C. change)
Operating Temperature:-40 Deg. C. to + 50 Deg. C.

OTC-22

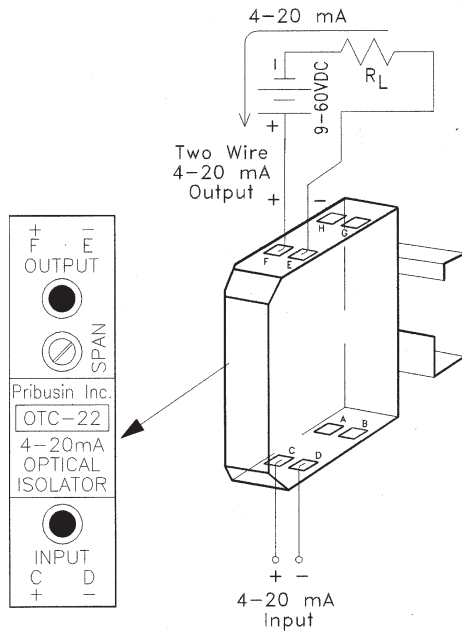
Dimensions:



Connection:



Connection:



Manufactured By:

Pribusin Inc.

www.pribusin.com
info@pribusin.com

USA:
Pribusin Inc.
4319 E. Apple Ave.
Muskegon, MI 49442
Ph: (231) 788-2900
Fx: (231) 788-2929



CANADA:
Pribusin Inc.
101 Freshway Dr. Unit 57
Concord, Ontario, L4K 1R9
Ph: (905) 660-5336
Fx: (905) 660-4068