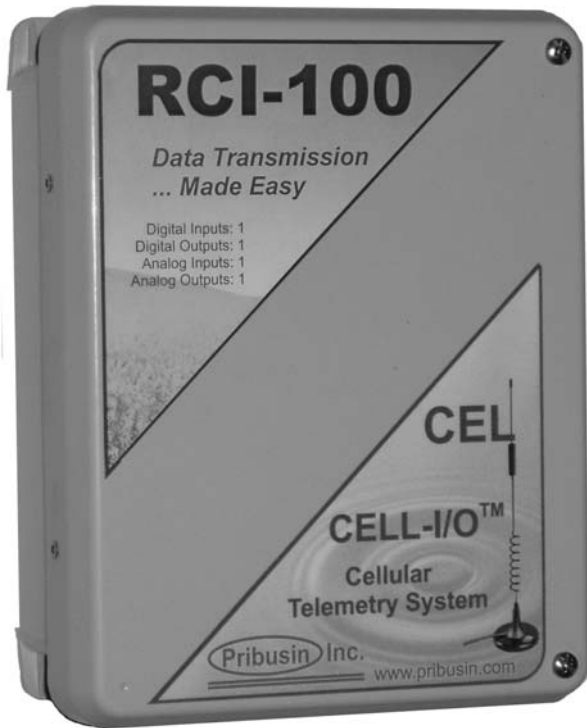


Pribusin Inc.

Manufacturers of Process
Controls and Instrumentation

Model: RCI-100-CEL

Cellular Remote Control Signal Interface



Standard Features:

Bi-directional Communication using Cellular Network
Link-up Programmable for: Status/Setpoint Change, Incremental Signal Change and Timed Interval
Point-to-Point or Host-to-Multi-Point Operation
1 Dry Contact and 1 Analog Input
1 'C' Relay Contact and 1 Analog Output
Easy Network Activation with SIM cards
No Calibration Required
Microprocessor Controlled for High Accuracy
Power: 117 VAC 50/60 Hz (Optional 24 VDC)
Built-in Overvoltage Protection on Telephone Line
High Noise Rejection

Function:

The RCI-100-CEL is a bi-directional cellular communication system that exchanges the status of 1 dry contact input and 1 analog input between a host and remote unit or a host unit and several remote units. A basic system consists of one host station and one or more remote stations.

In system A), the host unit can be set to interrogate the remote unit periodically or when required based on an input change.

In system B), the host unit can be set to interrogate multiple remote units periodically or when required based on an input change.

Connection:

Units require an active cellular connection and must be provisioned with a local cellular service provider. Pribusin Inc. offers a list of approved providers to ensure ease of deployment.

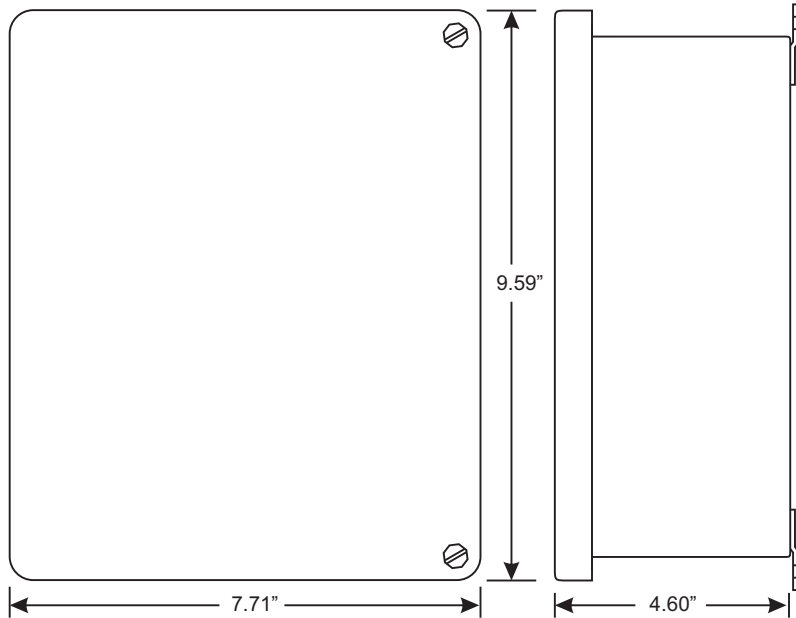
Specifications:

Transmission Medium: GPRS or CDMA Cellular Network
BAUD Rate: 115200 BAUD
Operating Temperature: -20 Deg.C. to +50 Deg.C.
Relay Contacts: 10A 1/8Hp @ 125VAC
6A 1/8Hp @ 277VAC
Power: 117 VAC, 60/50 Hz
(24VDC Available)
Enclosure: NEMA4X (NEMA12 available as an option)
Approvals: ETL 3118354:
UL 60950-1-2007; CSA-C22.2 No. 60950-1-07

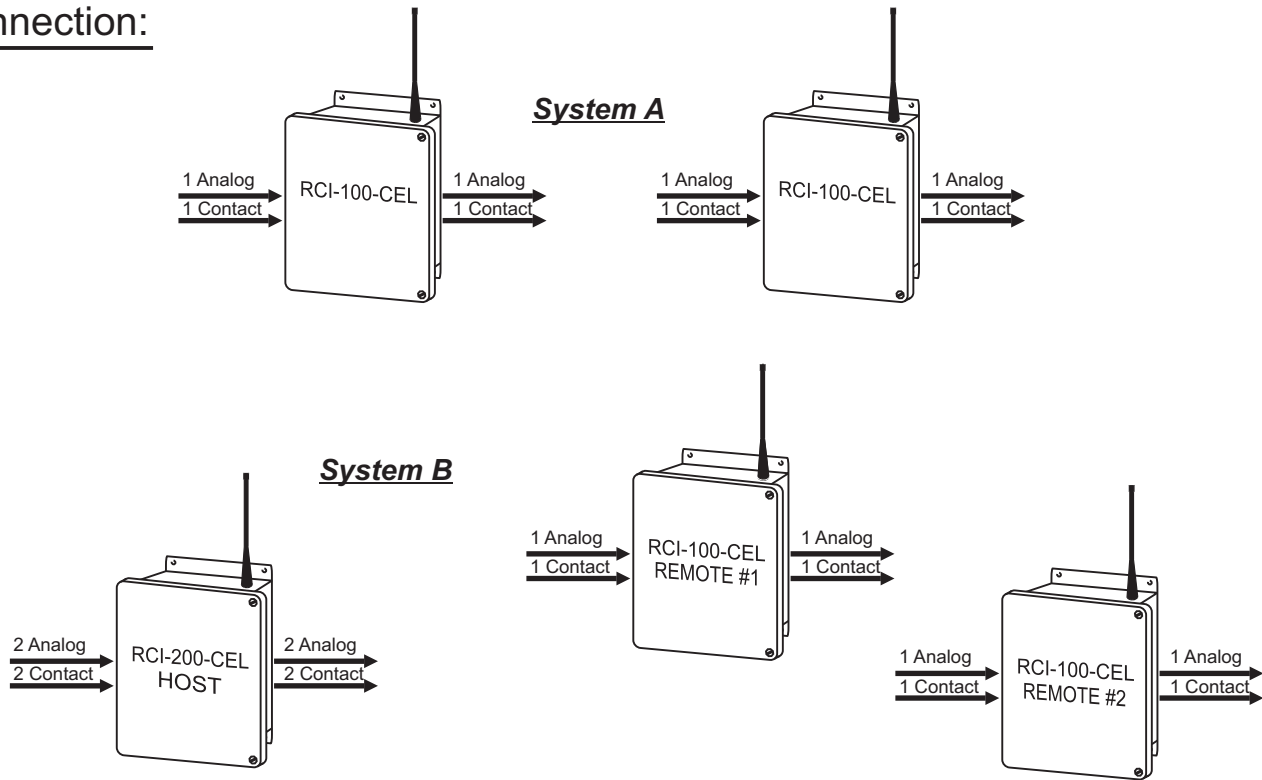
RCI-100-CEL

Enclosures & Dimensions:

Options: (Add letters to end of Model Number)



Connection:



Manufactured By:

Pribusin Inc.

www.pribusin.com
info@pribusin.com

USA:

Pribusin Inc.
 743 Marquette Ave.
 Muskegon, MI 49442
 Ph: (231) 788-2900
 Fx: (231) 788-2929



CANADA:

Pribusin Inc.
 101 Freshway Dr. Unit 57
 Concord, Ontario, L4K 1R9
 Ph: (905) 660-5336
 Fx: (905) 660-4068