

Pribusin Inc.

Manufacturers of Process
Controls and Instrumentation

Model: RCI-100-RF150

Remote Control Signal Interface
With 150MHz MURS Radio Frequency Link



Standard Features:

Bi-directional Communication using License-free 150MHz Radio Band

2 Watt selectable Radio Power Provides Reliable Communication

150MHz RF Band Does Not Require Line-Of-Sight

1 Dry Contact and 1 Analog Inputs

1 'C' Relay Contacts and 1 Analog Outputs

Point-to-Point or Host-to-Multipoint Topologies

No Calibration Required

Microprocessor Controlled for High Accuracy

Power: 117 VAC 50/60 Hz (Optional 24 VDC)

High Noise Rejection



Function:

The RCI-100-RF9 is a bi-directional data communication system that exchanges the status of 1 dry contact input and 1 analog input between a master and one or more remote units. A basic system consists of one master station and one remote station each with 1 dry contact and 1 analog inputs and 1 'C' relay contact and analog outputs. All signals are bi-directional so that data may be read from the remote station and sent to it.

The license-free 150MHz radio technology allows small systems to be set up with very little effort and at low cost. The technology ensures high communication reliability even in RF-intensive environments.

Antennas, such as directional Yagi or Patch antennas, are sold separately.

Options:

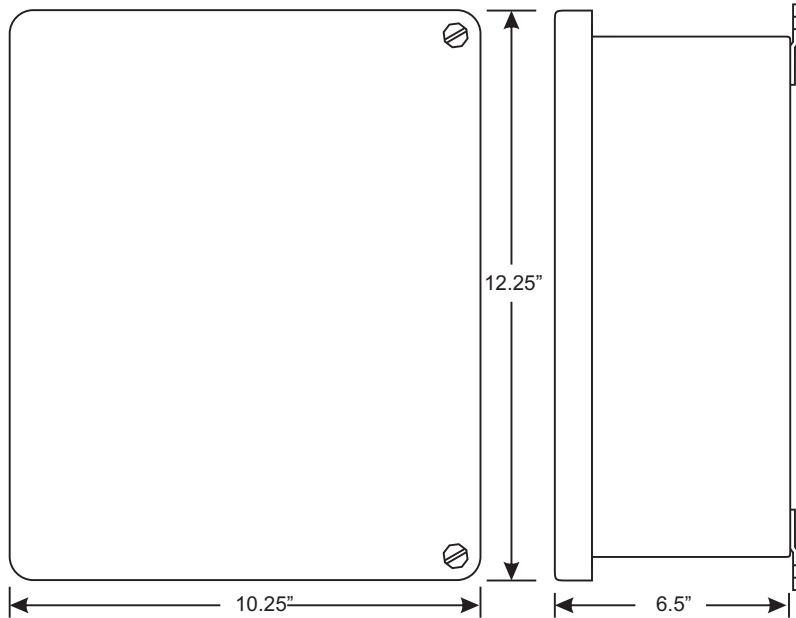
- A: 24VDC Power
- B: 240VAC Power
- N12: NEMA 12 Enclosure

Specifications:

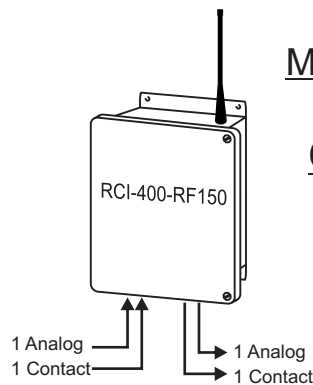
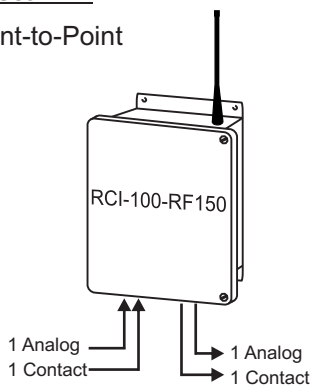
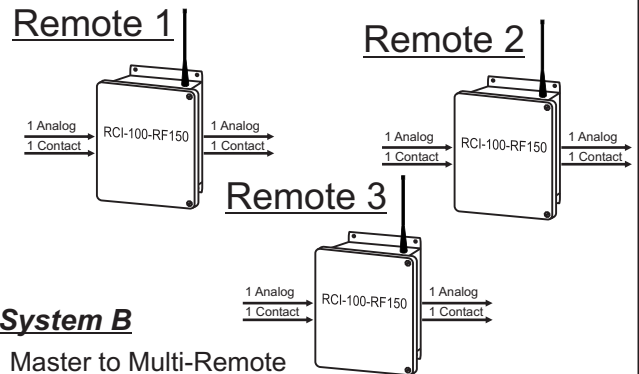
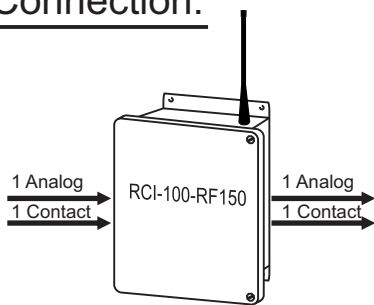
Media: 150MHz Spread-Spectrum Radio
Range: up to 12 miles with directional antenna
Protocol: MODBUS ASCII, 9600 BAUD
RF Connector: N-Female (Bottom of Enclosure)
Radio Power Output: 1W, 2W (selectable)
Operating Temperature: -4°F to +140°F (-20°C to +60°C)
Relay Contacts: 10A 1/8Hp @ 125VAC
6A 1/8Hp @ 277VAC
Power: 117 VAC, 60/50 Hz, 24VDC Available
Enclosure: NEMA4X (NEMA12 available as an option)
Approvals: ETL 3118354:
UL 60950-1-2007; CSA-C22.2 No. 60950-1-07

RCI-100-RF150

Enclosures & Dimensions:

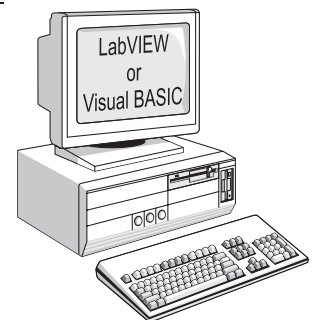


Connection:



Master

OR



Manufactured By:



www.pribusin.com
info@pribusin.com

USA:

Pribusin Inc.
743 Marquette Ave.
Muskegon, MI 49442
Ph: (231) 788-2900
Fx: (231) 788-2929



CANADA:

Pribusin Inc.
101 Freshway Dr. Unit 57
Concord, Ontario, L4K 1R9
Ph: (905) 660-5336
Fx: (905) 660-4068