

Standard Features:

- Bi-directional Communication using Ethernet/Internet
- Point-to-Point Operation
- 2 Dry Contact and 2 Analog Input
- 2 'C' Relay Contact and 2 Analog Output
- No Calibration Required
- Microprocessor Controlled for High Accuracy
- Power: 117 VAC 50/60 Hz (Optional 24 VDC)
- High Noise Rejection

Function:

The RCI-200-NET is a bi-directional ethernet communication system that exchanges the status of 2 dry contact input and 2 analog input between a host and remote unit or an ethernet enabled device . A basic system consists of A) one host station and one remote station **OR** B) several remote stations and one PC or ethernet enabled device.

In system A), the host unit continually interrogates the remote unit and exchanges its inputs and outputs. Inputs from the host are sent to the outputs of the remote while inputs from the remote are sent to the outputs of the host.

In system B), an ethernet enabled device can access any remote unit and monitor the inputs and control the outputs.

Connection:

Units are connected via a standard 10/100 Ethernet. Regular RJ45 Jacks make for easy installation.

Specifications:

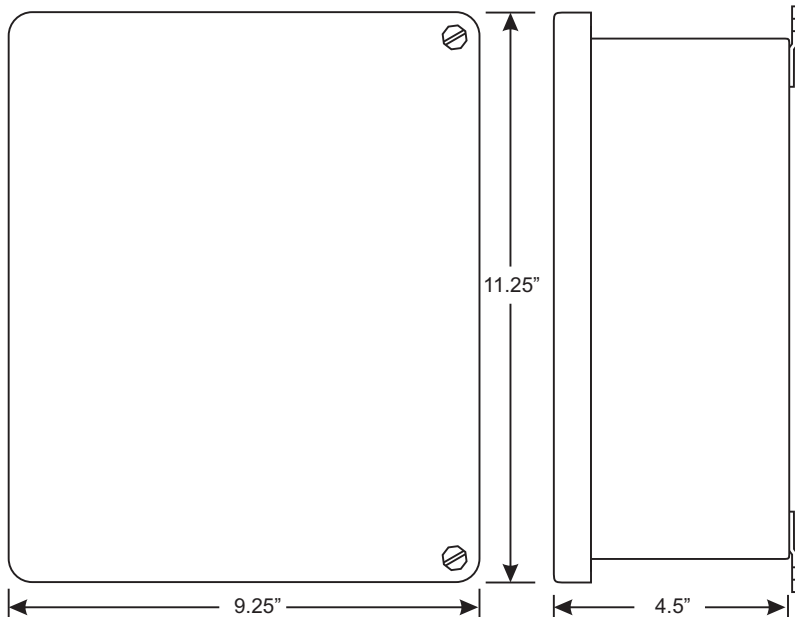
- Transmission Medium: 10/100 Ethernet, RJ-45 connection
- Operating Temperature: -20 Deg.C. to +50 Deg.C.
- Relay Contacts: 10A 1/8Hp @ 125VAC
6A 1/8Hp @ 277VAC
- Power: 117 VAC, 60/50 Hz
(24VDC Available)
- Enclosure: NEMA4X (NEMA12 available as an option)

RCI-200-NET

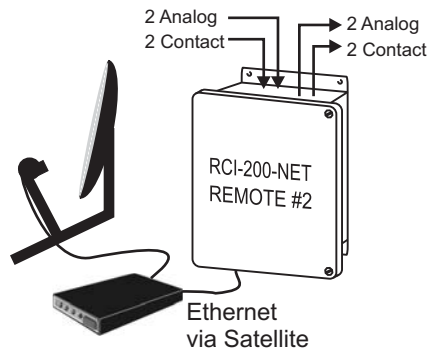
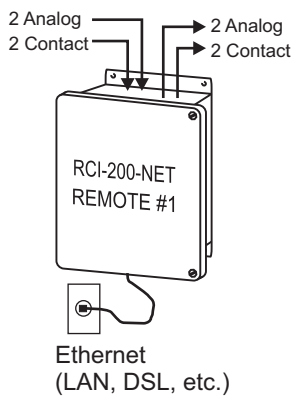
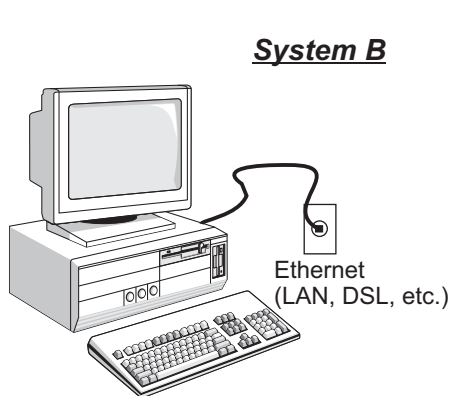
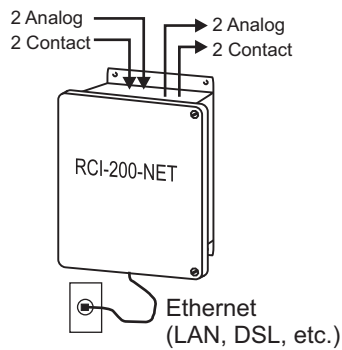
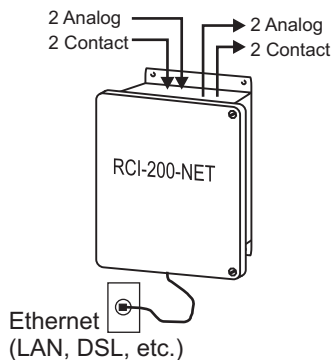
Enclosures & Dimensions:

Options: (Add letters to end of Model Number)

D - 8-Digit Scanning Display



Connection:



Manufactured By:

Pribusin Inc.

www.pribusin.com
 info@pribusin.com

USA:

Pribusin Inc.
 3938 Trade Center Drive
 Ann Arbor, MI 48108-2072
 Ph: (734) 677-0459
 Fx: (734) 677-0861



CANADA:

Pribusin Inc.
 101 Freshway Dr. Unit 57
 Concord, Ontario, L4K 1R9
 Ph: (905) 660-5336
 Fx: (905) 660-4068