

### Standard Features:

- Bi-directional Communication using License-free 150MHz Radio Band
- 2 Watt selectable Radio Power Provides Reliable Communication
- 150MHz RF Band Does Not Require Line-Of-Sight
- 2 Dry Contact and 2 Analog Inputs
- 2 'C' Relay Contacts and 2 Analog Outputs
- Point-to-Point or Host-to-Multipoint Topologies
- No Calibration Required
- Microprocessor Controlled for High Accuracy
- Power: 117 VAC 50/60 Hz (Optional 24 VDC)
- High Noise Rejection



### Function:

The RCI-200-RF9 is a bi-directional data communication system that exchanges the status of 2 dry contact inputs and 2 analog inputs between a master and one or more remote units. A basic system consists of one master station and one remote station each with 2 dry contact and 2 analog inputs and 2 'C' relay contact and analog outputs. All signals are bi-directional so that data may be read from the remote station and sent to it.

The license-free 150MHz radio technology allows small systems to be set up with very little effort and at low cost. The technology ensures high communication reliability even in RF-intensive environments.

Antennas, such as directional Yagi or Patch antennas, are sold separately.

### Options:

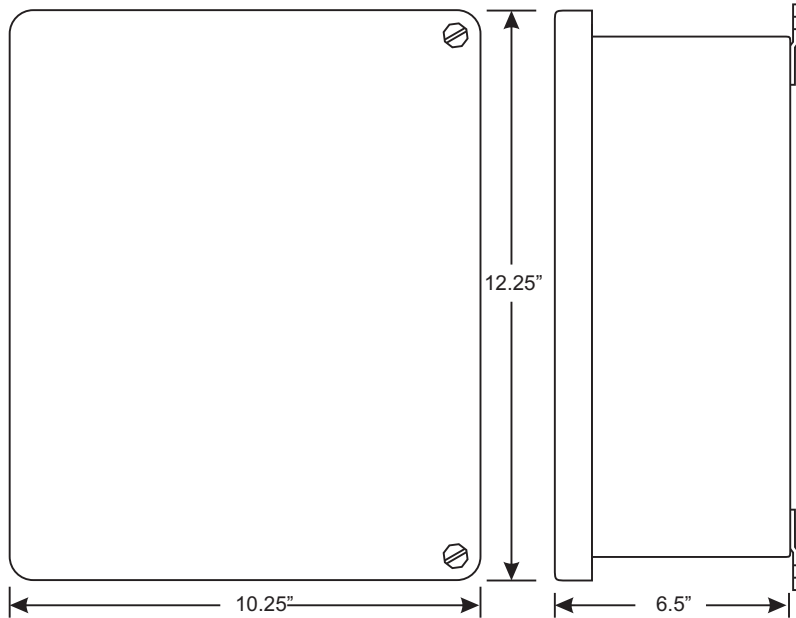
- A: 24VDC Power
- B: 240VAC Power
- N12: NEMA 12 Enclosure

### Specifications:

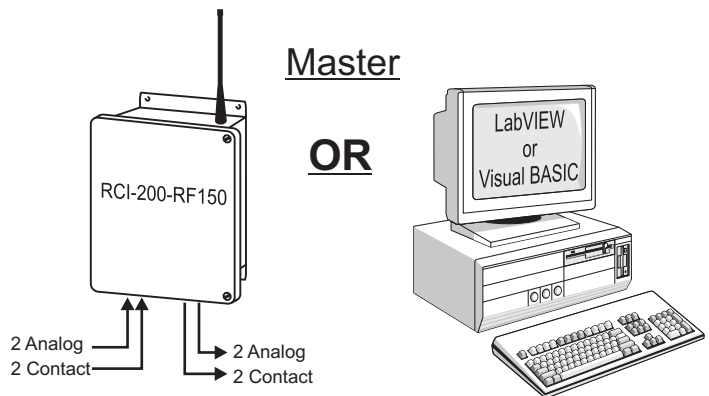
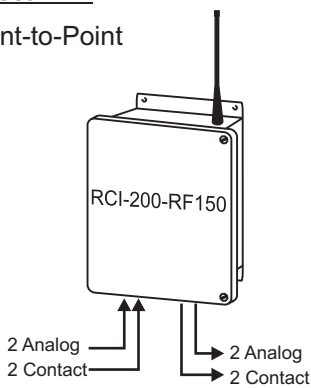
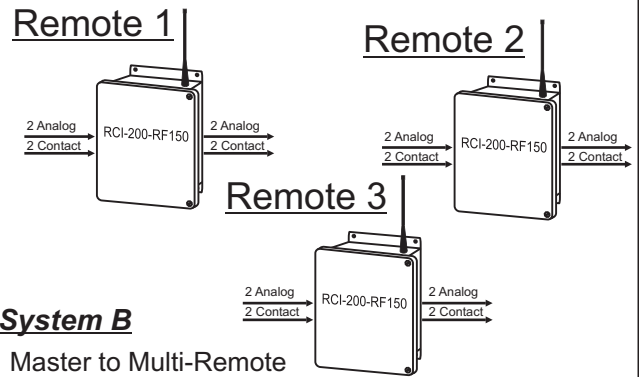
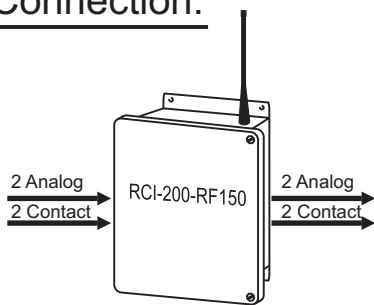
- Media: 150MHz Spread-Spectrum Radio
- Range: up to 12 miles with directional antenna
- Protocol: MODBUS ASCII, 9600 BAUD
- RF Connector: N-Female (Bottom of Enclosure)
- Radio Power Output: 1W, 2W (selectable)
- Operating Temperature: -4°F to +140°F (-20°C to +60°C)
- Relay Contacts: 10A 1/8Hp @ 125VAC  
6A 1/8Hp @ 277VAC
- Power: 117 VAC, 60/50 Hz, 24VDC Available
- Enclosure: NEMA4X (NEMA12 available as an option)
- Approvals: ETL 3118354:  
UL 60950-1-2007; CSA-C22.2 No. 60950-1-07

# RCI-200-RF150

## Enclosures & Dimensions:



## Connection:



## Manufactured By:



[www.pribusin.com](http://www.pribusin.com)  
[info@pribusin.com](mailto:info@pribusin.com)

### USA:

Pribusin Inc.  
743 Marquette Ave.  
Muskegon, MI 49442  
Ph: (231) 788-2900  
Fx: (231) 788-2929



### CANADA:

Pribusin Inc.  
101 Freshway Dr. Unit 57  
Concord, Ontario, L4K 1R9  
Ph: (905) 660-5336  
Fx: (905) 660-4068