

Standard Features:

Bi-directional Communication using Ethernet/Internet
Point-to-Point or Point-to-Multipoint Operation
4 Dry Contacts and 4 Analog Inputs
4 'C' Relay Contacts and 4 Analog Outputs
No Calibration Required
Microprocessor Controlled for High Accuracy
Power: 117 VAC 50/60 Hz (Optional 24 VDC)
High Noise Rejection

Function:

The RCI-400-NET is a bi-directional ethernet communication system that exchanges the status of 4 dry contact inputs and 4 analog inputs between a host and one or more remote unit(s). A basic system consists of A) one host unit and one remote unit **OR** B) one host unit several remote units.

In system A), the host unit continually interrogates the remote unit and exchanges its inputs and outputs. Inputs from the host are sent to the outputs of the remote while inputs from the remote are sent to the outputs of the host.

In system B), several remote units are connected to one host unit and can exchange data from their inputs and outputs with the host inputs and outputs. The total I/O count on all remote units may not exceed the I/O count of the host unit.

Connection:

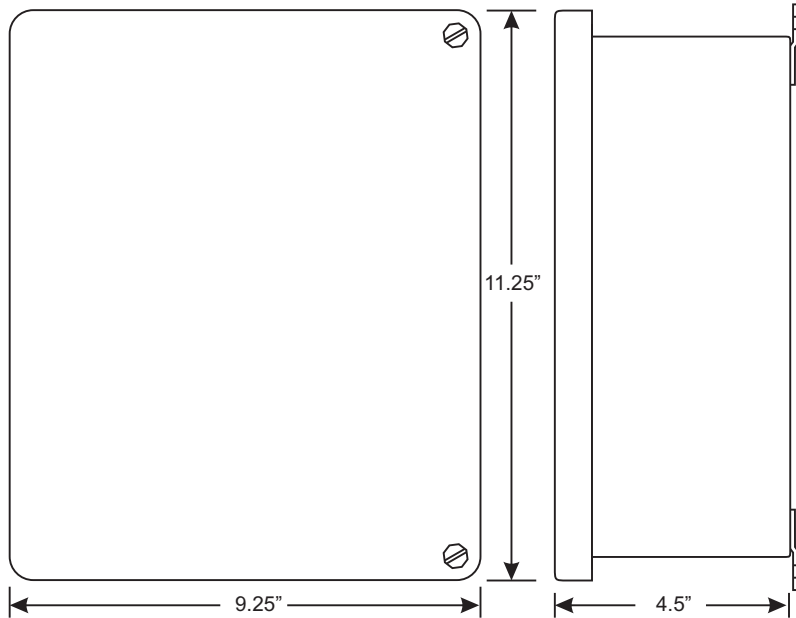
Units are connected via a standard 10/100 Ethernet. Regular RJ45 jacks make for easy installation.

Specifications:

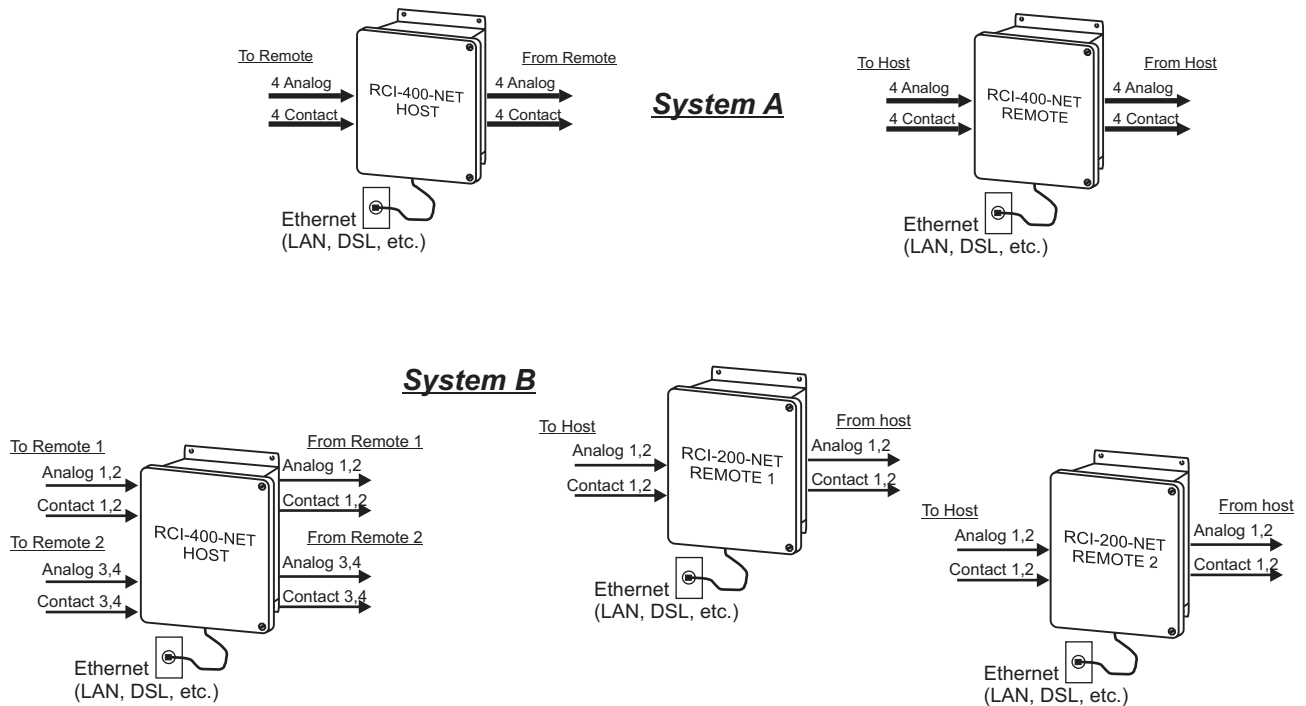
Transmission Medium: 10/100 Ethernet, RJ-45 connection
Operating Temperature: -20 Deg.C. to +50 Deg.C.
Relay Contacts: 10A 1/8Hp @ 125VAC
6A 1/8Hp @ 277VAC
Power: 117 VAC, 60/50 Hz
(24VDC Available)
Enclosure: NEMA4X

RCI-400-NET

Enclosures & Dimensions:



Connection:



Manufactured By:

Pribusin Inc.

www.pribusin.com
info@pribusin.com

USA:

Pribusin Inc.
 743 Marquette Avenue
 Muskegon, MI 49442
 Ph: (231) 788-2900
 Fx: (231) 788-2929



CANADA:

Pribusin Inc.
 101 Freshway Dr. Unit 57
 Concord, Ontario, L4K 1R9
 Ph: (905) 660-5336
 Fx: (905) 660-4068