

Remote Control Signal Interface With 2.4GHZ Radio Frequency Link



Standard Features:

Bi-directional Communication using License-free 2.4GHz Radio Band

Spread-Spectrum Radio Technology Provides Reliable Communication

Re-Transmission & Error Correction Algorithms ensure Accurate Data Transmission

8 Dry Contact and 8 Analog Inputs

8 'C' Relay Contacts and 8 Analog Outputs

Point-to-Point or Host-to-Multipoint Topologies

No Calibration Required

Microprocessor Controlled for High Accuracy

Power: 117 VAC 50/60 Hz (Optional 24 VDC)

High Noise Rejection

CSA and NRTL Approved (LR51078)



Function:

The RCI-800-RF2 is a bi-directional data communication system that exchanges the status of 8 dry contact inputs and 8 analog inputs between a master and one or more remote units. A basic system consists of one master station and one remote station each with 8 dry contact and 8 analog inputs and 8 'C' relay contact and analog outputs. All signals are bi-directional so that data may be read from the remote station and sent to it.

The license-free spread-spectrum radio technology allows small systems to be set up with very little effort and at low cost. The technology ensures high communication reliability even in RF-intensive environments.

All units are sold with a ¼ wave omnidirectional whip antenna. Other antennas, such as directional Yagi or Patch antennas, are sold separately.

Options:

- A: 24VDC Power
- B: 240VAC Power
- N12: NEMA 12 Enclosure

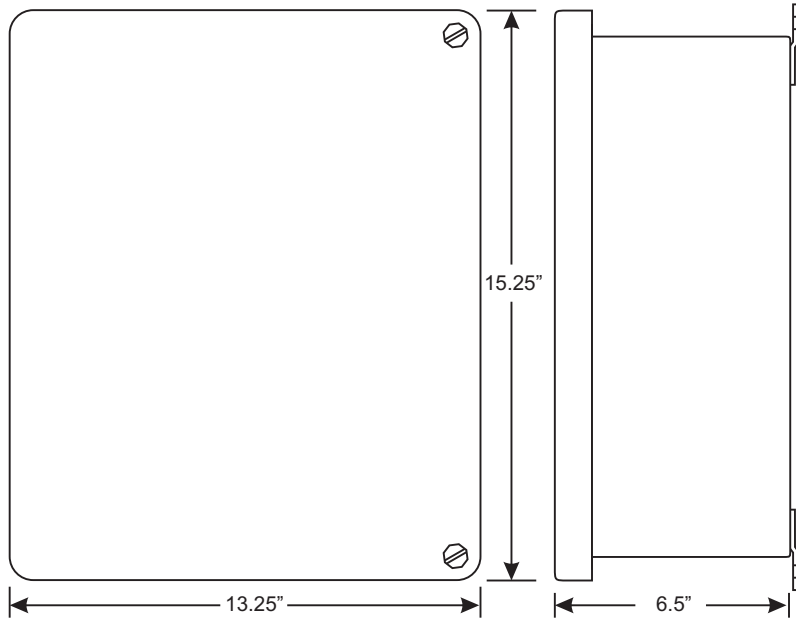
- R: Remote Radio
(Radio is in separate enclosure and mounts close to antenna to prevent signal loss for long cable runs)

Specifications:

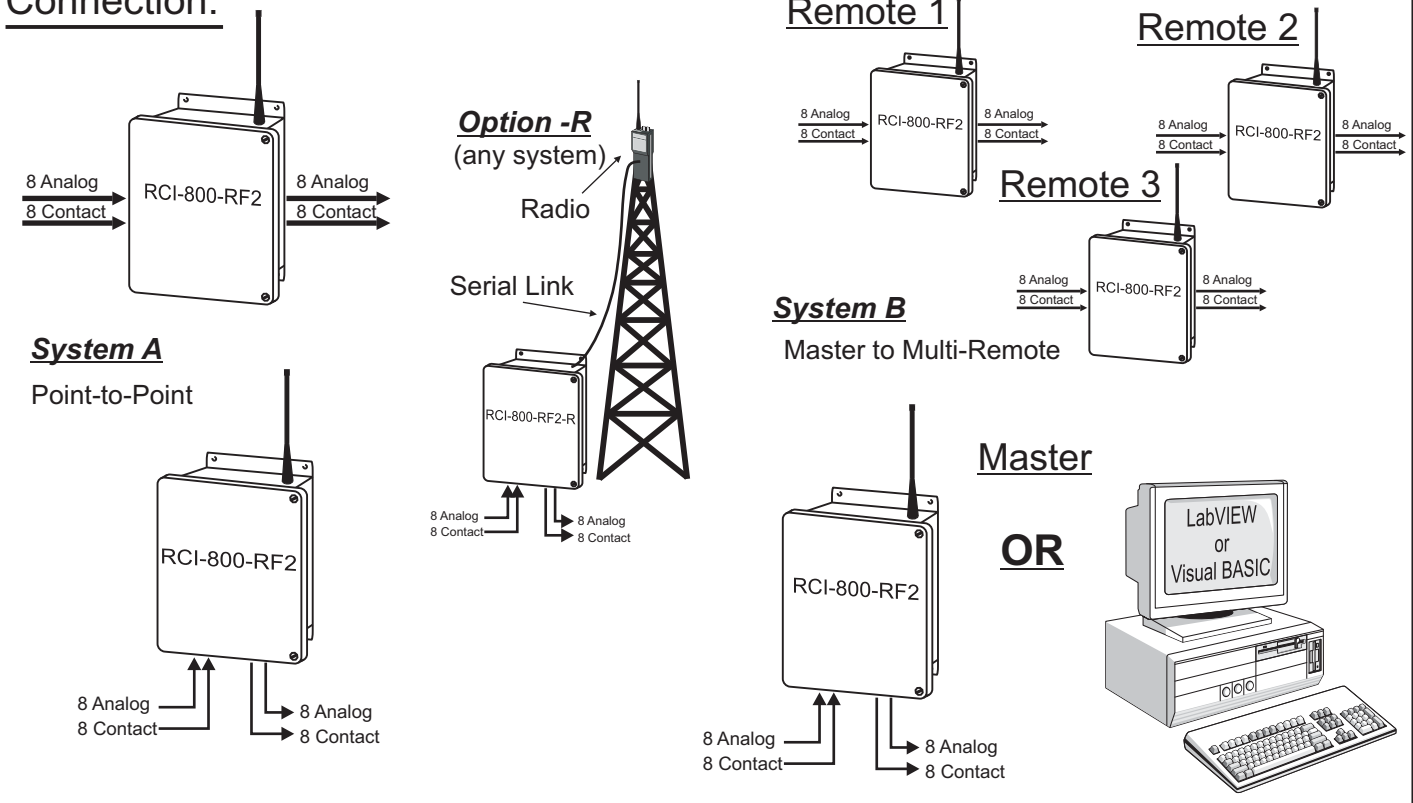
Media: 2.4GHz Spread-Spectrum Radio
Range: up to 1500ft indoors with omnidirectional antenna
up to 12 miles line-of-sight with directional antenna
Protocol: MODBUS ASCII
Speed: 9600 BAUD
Radio Power Output: 500mW max.
Operating Temperature: -4°F to +140°F (-20°C to +60°C)
Relay Contacts: 10A 1/8Hp @ 125VAC
6A 1/8Hp @ 277VAC
Power: 117 VAC, 60/50 Hz, 24VDC Available
Enclosure: NEMA4X (NEMA12 available as an option)
Approvals: ETL 3118354:
UL 60950-1-2007; CSA-C22.2 No. 60950-1-07

RCI-800-RF2

Enclosures & Dimensions:



Connection:



Manufactured By:



www.pribusin.com
info@pribusin.com

USA:

Pribusin Inc.
 4319 E. Apple Ave.
 Muskegon, MI 49442
 Ph: (231) 788-2900
 Fx: (231) 788-2929



CANADA:

Pribusin Inc.
 101 Freshway Dr. Unit 57
 Concord, Ontario, L4K 1R9
 Ph: (905) 660-5336
 Fx: (905) 660-4068