



Standard Features:

Bi-directional Communication using a RS232/485 Serial Bus Link

8 Dry Contact and 8 Analog Inputs

8 'C' Relay Contacts and 8 Analog Outputs

No Calibration Required

Microprocessor Controlled for High Accuracy

Power: 117 VAC 50/60 Hz (Optional 24 VDC)

High Noise Rejection



Function:

The RCI-800-SER is a bi-directional remote communication system that exchanges the status of 8 dry contact inputs and 8 analog inputs between a master and remote unit or a PC. A basic system consists of A) one master station and one remote station each with 8 dry contact and 8 analog inputs and 8 'C' relay contact and analog outputs **OR** B) several remote stations and one PC.

In system A), the master unit to interrogate one remote .

In system B), a PC can interrogate several remote units.

LabVIEW drivers are provided for user software development on Pc's.

Connection:

Units are connected via a class 'C' line (Dial-up or leased). Regular J11 Phone Jacks make for easy installation. When connecting units on a PBX system make sure it can accept analog modem transmissions. Serial systems connect via standard modem cable.

Specifications:

Transmission Medium: RS232/485

BAUD Rate: 2400 BAUD typ., 9600, 14.4K available

Operating Temperature: -20 Deg.C. to +50 Deg.C.

Relay Contacts: 10A 1/8Hp @ 125VAC

6A 1/8Hp @ 277VAC

Power: 117 VAC, 60/50 Hz

(24VDC Available)

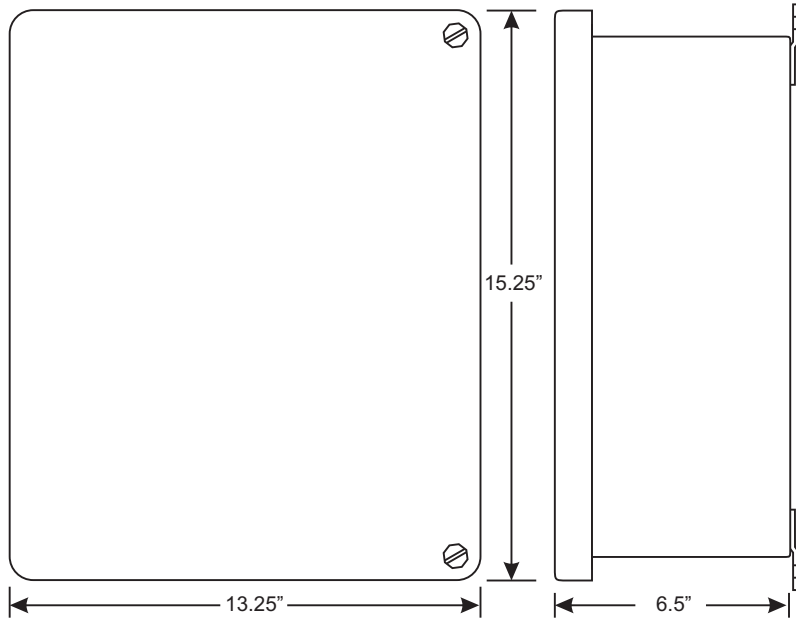
Enclosure: NEMA4X (NEMA12 available as an option)

Approvals: ETL 3118354:

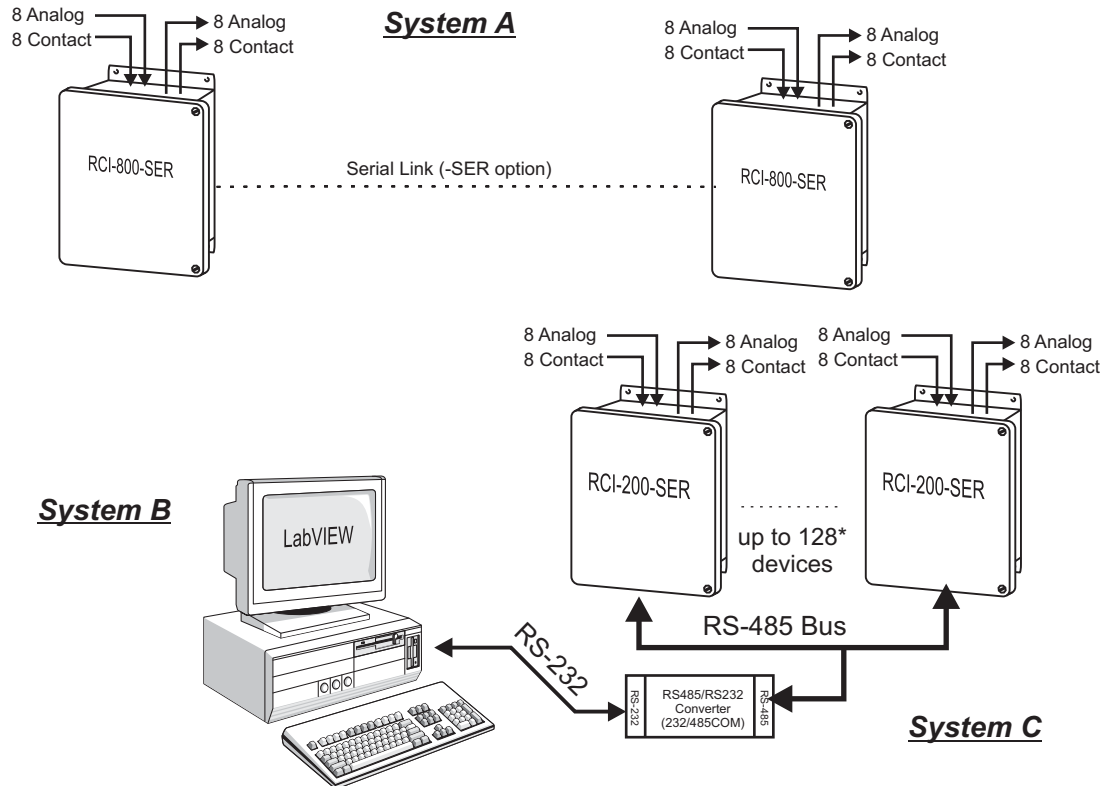
UL 60950-1-2007; CSA-C22.2 No. 60950-1-07

RCI-800-SER

Enclosures & Dimensions:



Connection:



Manufactured By:



www.pribusin.com
info@pribusin.com

USA:

Pribusin Inc.
4319 E. Apple Ave.
Muskegon, MI 49442
Ph: (231) 788-2900
Fx: (231) 788-2929



CANADA:

Pribusin Inc.
101 Freshway Dr. Unit 57
Concord, Ontario, L4K 1R9
Ph: (905) 660-5336
Fx: (905) 660-4068