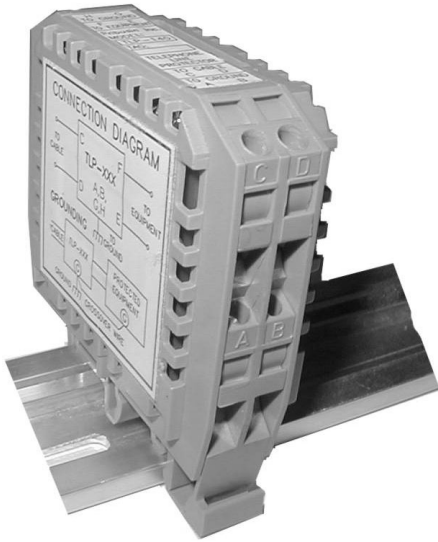


Pribusin Inc.

Manufacturers of Process
Controls and Instrumentation

Model: TLP-XXX

Telephone Line Surge Protector



Standard features:

- Protects Telephone Line Equipment
- Reduces Risk of Damage from Power Surges
- Increases Protection when used after a Lightning Arrestor
- Small Size
- No Power Required

**NOT A SUBSTITUTE FOR A LIGHTNING
ARRESTOR !!!**

Function:

The TLP-XXX provides additional protection for telephone line connected equipment by reducing the risk of power surges from entering the equipment. It accomplishes this by clipping input voltages above a certain level. It is an ideal addition to Lightning protectors/arrestors since it takes out power surges that a lightning protector may pass on to the telephone equipment.

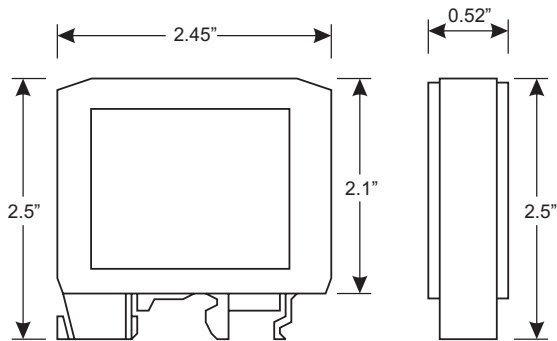
Various input voltage clipping levels are available to suit most applications (see back for details).

Specifications:

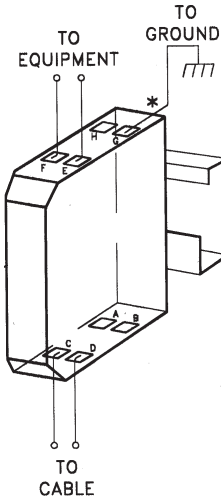
- Input: Telephone Line
- Output: Telephone Line
- Operating Power: None
- Enclosure: PVC Plastic
- Operating Temperature: -40 Deg. C. to + 40 Deg. C.

TLP-XXX

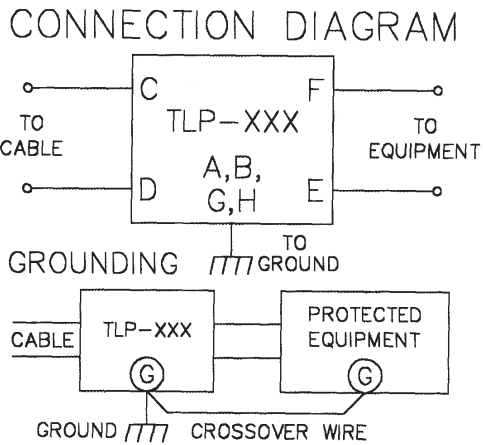
Dimensions:



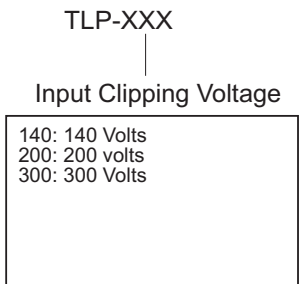
Connection:



Connection:



Model Designation:



Manufactured By:

Pribusin Inc.

www.pribusin.com
info@pribusin.com

USA:
 Pribusin Inc.
 4319 E. Apple Ave.
 Muskegon, MI 49442
 Ph: (231) 788-2900
 Fx: (231) 788-2929



CANADA:
 Pribusin Inc.
 101 Freshway Dr. Unit 57
 Concord, Ontario, L4K 1R9
 Ph: (905) 660-5336
 Fx: (905) 660-4068