

Pribusin Inc.

Manufacturers of Process
Controls and Instrumentation

Model: TWD-3.5

Two Wire LCD Display



Standard Features:

3 1/2 Large Digits
Standard Plastic Enclosure
Industry Standard 4-20 mA Input
Display Range Field Adjustable
Field Adjustable Decimal Point
Fully Loop Powered
CSA and NRTL Approved

Function:

The TWD-3.5 is a 3 1/2 digit LCD display that has a maximum range of 0000-1999. The zero and span point are fully field adjustable. The decimal point can be selected after any digit or left off completely. Using these two adjustments, almost all engineering units can be displayed easily on the display

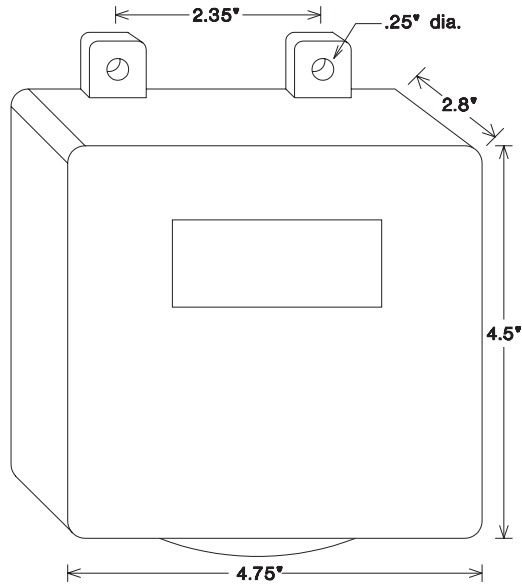
The TWD-3.5 requires only 2.5 volts from the loop and presents a maximum load impedance of 125 ohms @ 20 mA.

Specifications:

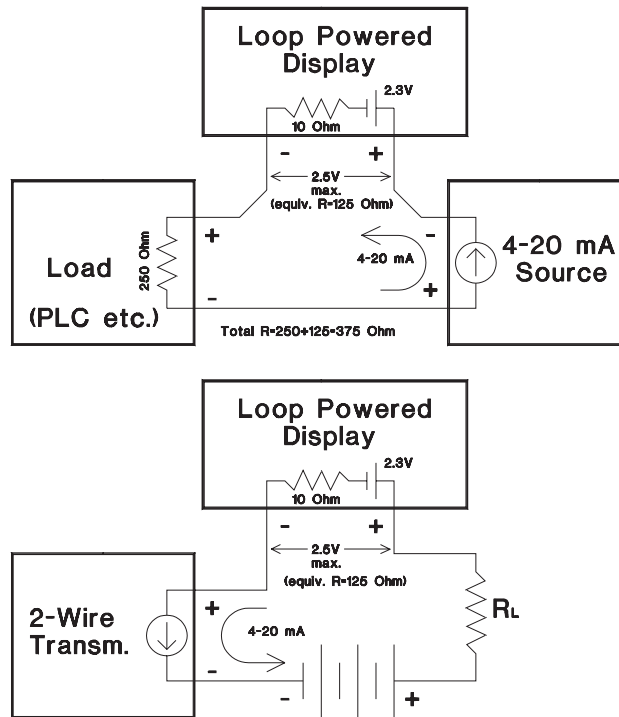
Range: 0000-1999 (Field Adjustable)
Input: 4-20 mA
Decimal Point: Field Selectable
(1.999, 19.999, 199.9, 1999)
Power: Loop Powered
Operating Temperature: -10 Deg. C. to +45 Deg. C.

TWD-3.5

Dimensions:



Connection:



Manufactured By:

Pribusin Inc.

www.pribusin.com
info@pribusin.com

USA:

Pribusin Inc.
 4319 E. Apple Ave.
 Muskegon, MI 49442
 Ph: (231) 788-2900
 Fx: (231) 788-2929



CANADA:

Pribusin Inc.
 101 Freshway Dr. Unit 57
 Concord, Ontario, L4K 1R9
 Ph: (905) 660-5336
 Fx: (905) 660-4068