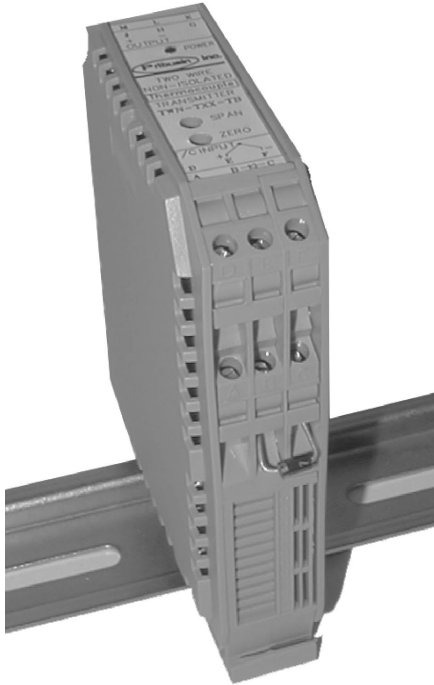


Pribusin Inc.

Manufacturers of Process
Controls and Instrumentation

Model: TWI-ACI-TB

Two Wire Isolated Current Transmitter



Standard features:

- High Input-Output-Power Isolation (1500VAC Test)
- 0-5 AAC Input
- Small Size - Fits on Terminal Block Rail
- Industry Standard 4-20 mA Output (2- or 3-Wire Connection)
- Wide Operating Range (8 to 60 VDC)
- High Noise Rejection
- CSA and NRTL Approval Pending

Function:

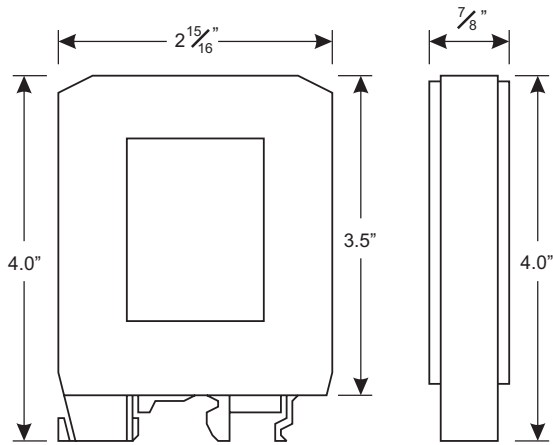
The TWI-ACI-TB is an isolated two wire current transmitter that provides high isolation from the current input to the 4-20 mA output. The small package and its DIN rail mount make it easy for the TWI-ACI-TB to be incorporated into larger control panels. There it may have applications such PLC front end conditioning, etc.

Specifications:

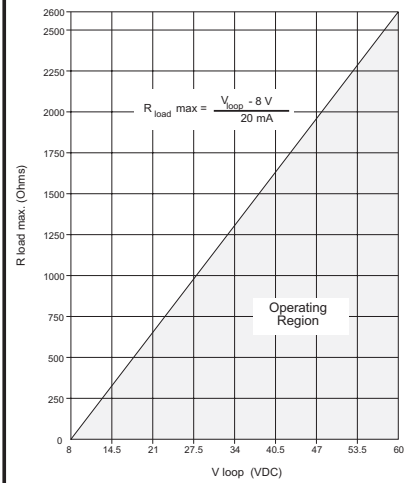
- Isolation: 1500 VAC Input to Output (Test)
- Power Requirement: 8 to 60 VDC
- Input: 0-5 AAC
- Output: 4-20 mA
- Accuracy/Linearity: +/-0.25% max., +/- 0.1% typ.
- Response Time: 200 msec to 63% of final value
400 msec to 99% of final value
- Temperature Effects: +/- 0.025% typ.
- Line Effects: 0.03% per 10 VDC Line Change
- Operating Temperature: -20 Deg. C. to + 40 Deg. C.

TWI-ACI-TB

Dimensions:

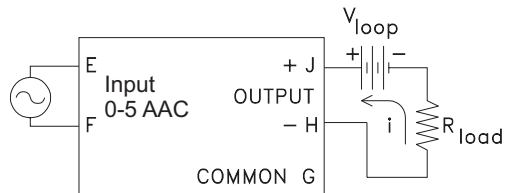


Loop Characteristics:

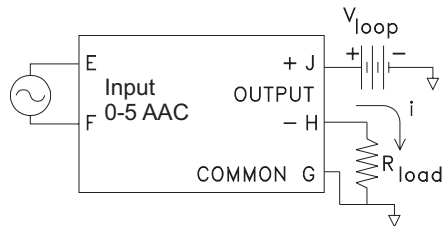


Connection:

TWO WIRE CONNECTION



THREE WIRE CONNECTION



Manufactured By:

Pribusin Inc.

www.pribusin.com
info@pribusin.com

USA:

Pribusin Inc.
 4319 E. Apple Ave.
 Muskegon, MI 49442
 Ph: (231) 788-2900
 Fx: (231) 788-2929



CANADA:

Pribusin Inc.
 101 Freshway Dr. Unit 57
 Concord, Ontario, L4K 1R9
 Ph: (905) 660-5336
 Fx: (905) 660-4068