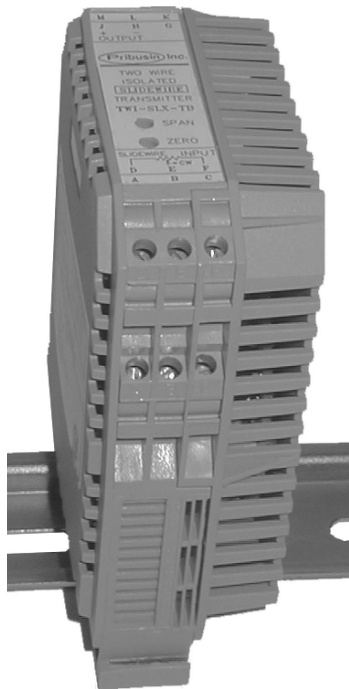


Pribusin Inc.

Manufacturers of Process
Controls and Instrumentation

Model: TWI-MVX-TB

Two Wire Isolated Millivolt Transmitter



Standard features:

- High Input to Output Isolation (800 VAC Test)
- Small Size - Fits on Terminal Block Rail
- Industry Standard 4-20 mA Output
- Standard Millivolt Ranges
- Special Ranges Available
- Wide Operating Range (12 to 60 VDC)
- High Noise Rejection
- CSA and NRTL Approved (LR 51078)

Function:

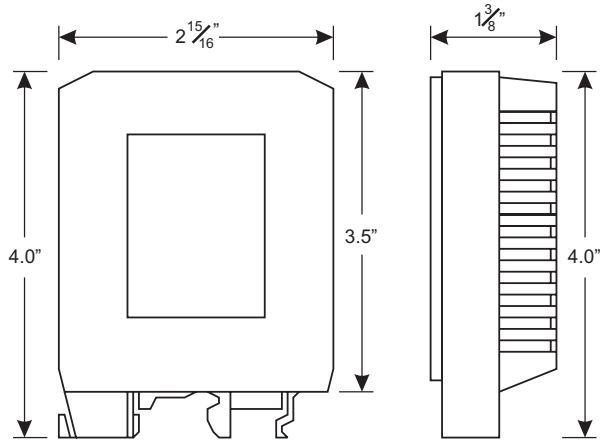
The TWI-MVX-TB is an isolated two wire millivolt transmitter that comes in a small, easy to install package. It has a universal DIN mount which makes it ideal for installation into crowded control panels. The many different millivolt ranges allow it to be used in a great variety of applications such as current measurement through a shunt, PLC front end conditioning, etc.

Specifications:

- Isolation: 800 VAC (Test)
- Operating Power: 12 to 60 VDC
- Accuracy/Linearity: +/-0.2% max., +/- 0.1% typ.
(Linear with Temperature for most Ranges)
- Response Time: 100 msec to 63% of final value
400 msec to 99% of final value
- Temperature Effects: +/- 0.025% per Deg.C.
- Span Drift: +/- 0.025% per Deg.C.
- Zero Drift: 1 uV per mV offset per Deg.C. OR
1 uV per Deg.C., whichever is greater
- Drift at 25 Deg. C.: 24 Hours: +/- 0.1%
30 Days: +/-0.2%
- Operating Temperature: -20 Deg. C. to + 50 Deg. C.
- Input Impedance: 1 Meg Ohm min.

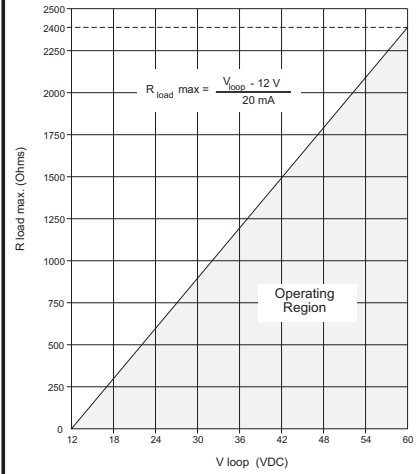
TWI-MVX-TB

Dimensions:

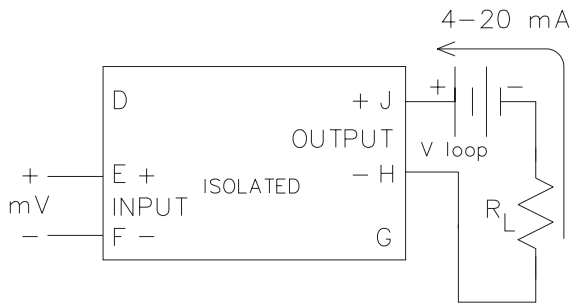


M	L	K
J	H	G
+ OUTPUT		
Pribusin Inc.		
TWO WIRE ISOLATED TRANSMITTER		
TWI-MVX-TB		
⊕ SPAN		
⊕ ZERO		
INPUT		
D	E	F
A	B	C

Loop Characteristics:



Connection:



Model Designation:

TWI-MVX-TB

Input

- 1: 0-5 mV
- 2: 0-10 mV
- 3: 0-20 mV
- 4: 0-50 mV
- 5: 0-100mV
- 7: Special Input

Example: Millivolt conditioner with 0-50mV Input & 4-20mA Output is designated by: TWI-MV4-TB

Manufactured By:

Pribusin Inc.

www.pribusin.com
info@pribusin.com

USA:

Pribusin Inc.
4319 E. Apple Ave.
Muskegon, MI 49442
Ph: (231) 788-2900
Fx: (231) 788-2929



CANADA:

Pribusin Inc.
101 Freshway Dr. Unit 57
Concord, Ontario, L4K 1R9
Ph: (905) 660-5336
Fx: (905) 660-4068