

**Standard features:**

- High Input to Output Isolation (800 VAC Test)
- Small Size - Fits on Terminal Block Rail
- Industry Standard 4-20 mA Output
- Standard Ranges for 100 Ohm Platinum
- Special Ranges and other RTD Types Available
- Wide Operating Range (12 to 60 VDC)
- High Noise Rejection
- CSA and NRTL Approved (LR 51078)

**Function:**

The TWI-RTX-TB is an isolated two wire RTD transmitter in a small, easy to install package. It has a universal DIN mount which makes it ideal for installation into crowded control panels. The many different temperature ranges allow it to be used in a great variety of temperature measurement applications.

Temperature Conversion Equations:

$$^{\circ}\text{C} = \frac{5}{9} (^{\circ}\text{F} - 32)$$

$$^{\circ}\text{F} = \frac{9}{5} ^{\circ}\text{C} + 32$$

$$\text{Kelvin} = ^{\circ}\text{C} + 273.15$$

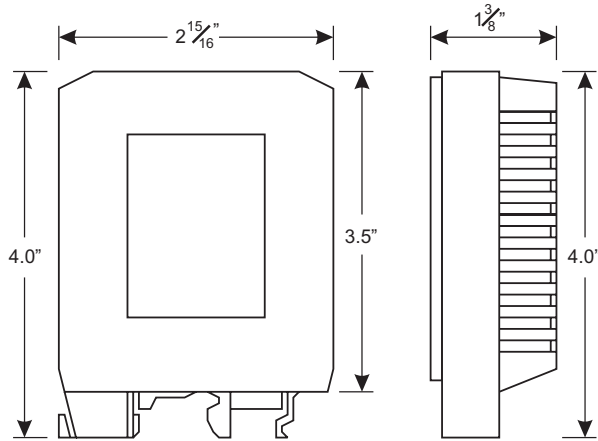
$$\text{Rankin} = ^{\circ}\text{F} + 459.67$$

**Specifications:**

- Output: 4-20 mA
- Isolation: 800 VAC Test
- Operating Power: 12 to 60 VDC
- RTD Type: Platinum, 100 Ohms at 0 Deg.C., 0.0385 Alpha
- Accuracy/Linearity: +/-0.25% max., +/-0.1% typ (Linearized to RTD Curve).
- Response Time: 100 msec to 63% of final value  
400 msec to 99% of final value
- Temperature Effects: +/- 0.025% per Deg.C.
- Span Drift: +/-0.025% per Deg.C.
- Zero Drift: 1 milliohm per 1 ohm offset per Deg.C. or 1 milliohm per Deg.C. whichever is larger
- Line Effects: 0.03% per 10 VDC Line Change
- Operating Temperature: -20 Deg. C. to + 40 Deg. C.

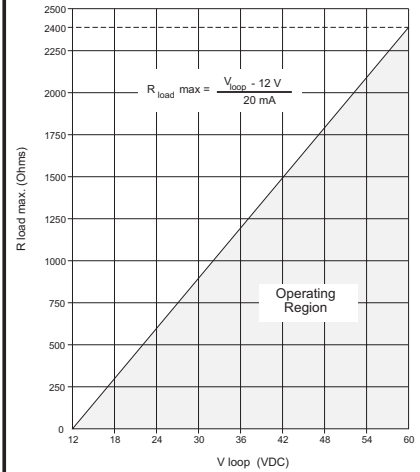
# TWI-RTX-TB

## Dimensions:

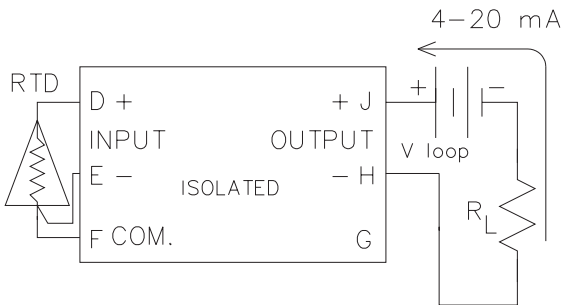


M	L	K
J	H	G
+ OUTPUT		
<b>Pribusin Inc.</b>		
TWO WIRE		
ISOLATED		
RTD		
TRANSMITTER		
TWI-RTX-TB		
⊕ SPAN		
⊕ ZERO		
RTD	INPUT	Com
+ D	- E	F
A	B	C

## Loop Characteristics:



## Connection:



## Model Designation:

TWI-RTX-TB

Temperature Range

- 1: 0 to 300F (-18 to 150C)
- 2: 0 to 400F (-18 to 205C)
- 3: 0 to 500F (-18 to 260C)
- 4: 0 to 750F (-18 to 400C)
- 5: 0 to 1000F (-18 to 538C)
- 6: -350 to 1100F (-200 to 600C)
- 7: Special (must specify on order)

Example: Isolated RTD Transmitter for 100 Ohm Platinum RTD for 0-500 Deg.F. is designated by:TWI-RT3-TB

## Manufactured By:

**Pribusin Inc.**

www.pribusin.com  
info@pribusin.com

### USA:

Pribusin Inc.  
4319 E. Apple Ave.  
Muskegon, MI 49442  
Ph: (231) 788-2900  
Fx: (231) 788-2929



### CANADA:

Pribusin Inc.  
101 Freshway Dr. Unit 57  
Concord, Ontario, L4K 1R9  
Ph: (905) 660-5336  
Fx: (905) 660-4068