

Standard features:

- Small Size - Fits on Terminal Block Rail
- Industry Standard 4-20 mA Output
- Standard Ranges for Common mV Inputs
- Special Ranges Available
- Wide Operating Range (8 to 60 VDC)
- High Noise Rejection
- CSA and NRTL Approved (LR 51078)

Function:

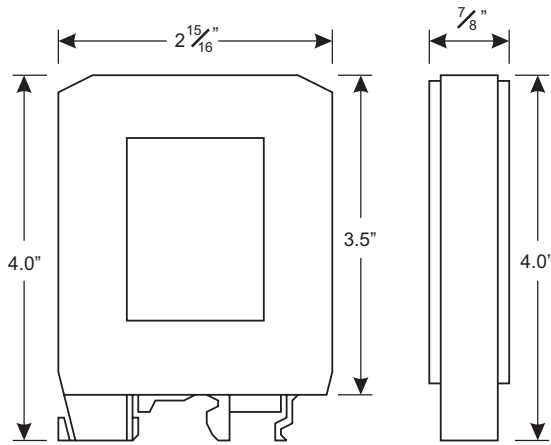
The TWN-MVX-TB is a non-isolated two wire Millivolt transmitter in a small, easy to install package. It has a universal DIN mount which makes it ideal for installation into crowded control panels. The many different input ranges allow it to be used in a great variety of millivolt measurement applications.

Specifications:

- Output: 4-20 mA
- Operating Power: 8 to 60 VDC
- Accuracy/Linearity: +/-0.2% max., +/- 0.1% typ
- Response Time: 100 msec to 63% of final value
500 msec to 99% of final value
- Temperature Effects: +/- 0.025% per Deg.C.
- Span Drift: +/-0.025% per Deg.C.
- Zero Drift: 1 uV per mV offset per Deg.C. or
1 uV per Deg.C. whichever is larger
- Line Effects: 0.03% per 10 VDC Line Change
- Operating Temperature: -20 Deg. C. to + 40 Deg. C.
- Input Impedance: 1 Meg Ohm min.

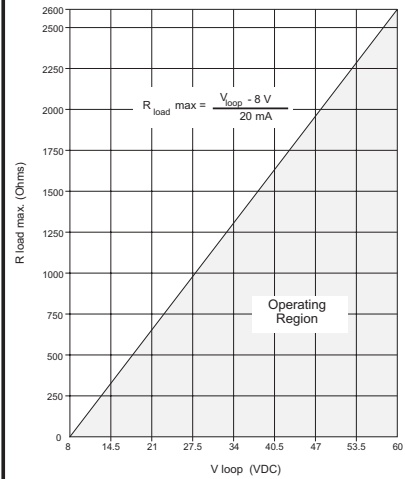
TWN-MVX-TB

Dimensions:

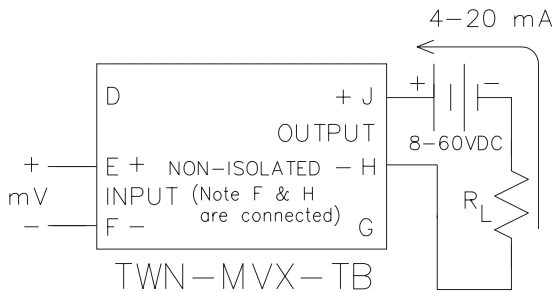


M	L	K
J	H	G
+ OUTPUT		
POWER		
Pribusin Inc.		
TWO WIRE NON-ISOLATED MILLIVOLT TRANSMITTER TWN-MVX-TB		
SPAN		
ZERO		
INPUT		
D	E	F
A	B	C

Loop Characteristics:



Connection:



Model Designation:

TWN-MVX-TB

Input

- 1: 0-5 mV
- 2: 0-10 mV
- 3: 0-20 mV
- 4: 0-50 mV
- 5: 0-100 mV

7: Special (must specify on order)

Example: Non-Isolated millivolt transmitter for 20 mV is designated by: TWN-MV3-TB

Manufactured By:

Pribusin Inc.

www.pribusin.com
info@pribusin.com

USA:

Pribusin Inc.
4319 E. Apple Ave.
Muskegon, MI 49442
Ph: (231) 788-2900
Fx: (231) 788-2929



CANADA:

Pribusin Inc.
101 Freshway Dr. Unit 57
Concord, Ontario, L4K 1R9
Ph: (905) 660-5336
Fx: (905) 660-4068