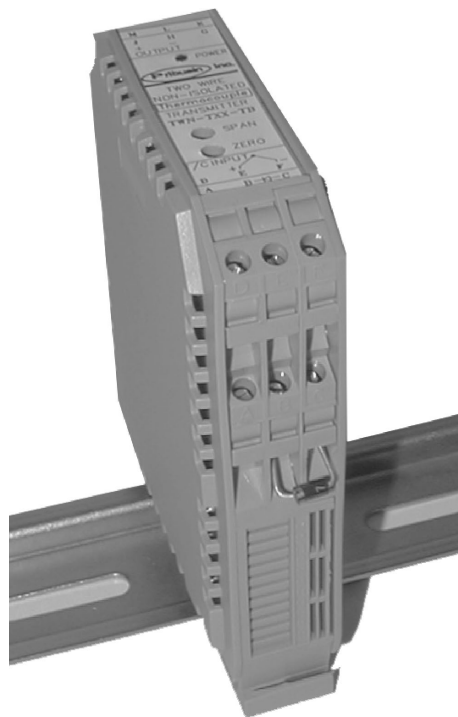


**Pribusin Inc.**

Manufacturers of Process  
Controls and Instrumentation

**Model: TWN-RTX-TB**

**Two Wire Non-Isolated RTD Transmitter**



### Standard features:

Small Size - Fits on Terminal Block Rail  
Industry Standard 4-20 mA Output  
Standard Ranges for 100 Ohm Platinum  
Special Ranges and other RTD Types Available  
Wide Operating Range (8 to 60 VDC)  
High Noise Rejection  
CSA and NRTL Approved (LR 51078)

### Function:

The TWN-RTX-TB is a non-isolated two wire RTD transmitter in a small, easy to install package. It has a universal DIN mount which makes it ideal for installation into crowded control panels. The many different temperature ranges allow it to be used in a great variety of temperature measurement applications.

Temperature Conversion Equations:

$$^{\circ}\text{C} = \frac{5}{9} (^{\circ}\text{F} - 32)$$

$$^{\circ}\text{F} = \frac{9}{5} ^{\circ}\text{C} + 32$$

$$\text{Kelvin} = ^{\circ}\text{C} + 273.15$$

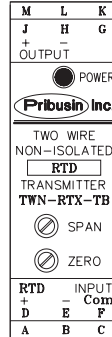
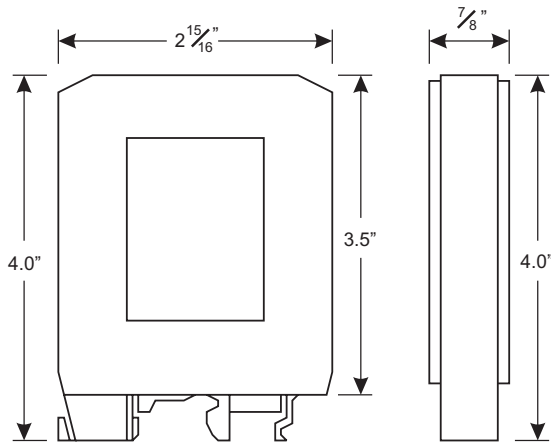
$$\text{Rankin} = ^{\circ}\text{F} + 459.67$$

### Specifications:

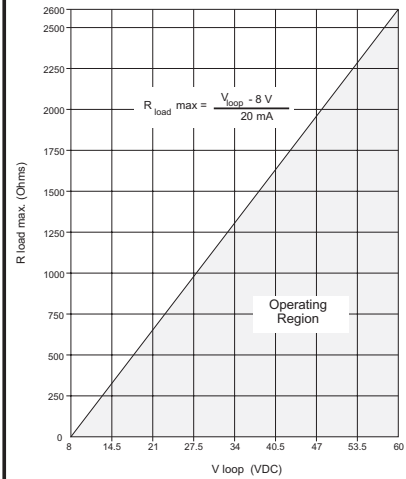
Output: 4-20 mA  
Operating Power: 8 to 60 VDC  
RTD Type: Platinum, 100 Ohms at 0 Deg.C.,  
0.0385 Alpha  
Accuracy/Linearity: +/-0.25% max., +/- 0.1% typ  
(Linearized to RTD Curve).  
Response Time: 100 msec to 63% of final value  
400 msec to 99% of final value  
Temperature Effects: +/- 0.025% per Deg.C.  
Line Effects: 0.03% per 10 VDC Line Change  
Operating Temperature: -20 Deg. C. to + 40 Deg. C.

# TWN-RTX-TB

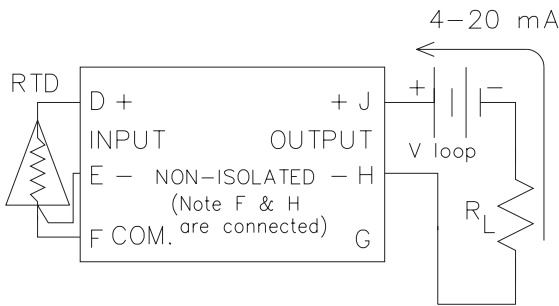
## Dimensions:



## Loop Characteristics:



## Connection:



## Model Designation:

TWN-RTX-TB

Temperature Range

- 1: 0 to 300F (-18 to 150C)
- 2: 0 to 400F (-18 to 205C)
- 3: 0 to 500F (-18 to 260C)
- 4: 0 to 750F (-18 to 400C)
- 5: 0 to 1000F (-18 to 538C)
- 6: -350 to 1100F (-200 to 600C)
- 7: Special (must specify on order)

Example: Non-Isolated RTD Transmitter for 100 Ohm Platinum RTD for 0-500 Deg.F. is designated by:TWN-RT3-TB

## Manufactured By:

**Pribusin Inc.**

www.pribusin.com  
info@pribusin.com

### USA:

Pribusin Inc.  
4319 E. Apple Ave.  
Muskegon, MI 49442  
Ph: (231) 788-2900  
Fx: (231) 788-2929



### CANADA:

Pribusin Inc.  
101 Freshway Dr. Unit 57  
Concord, Ontario, L4K 1R9  
Ph: (905) 660-5336  
Fx: (905) 660-4068