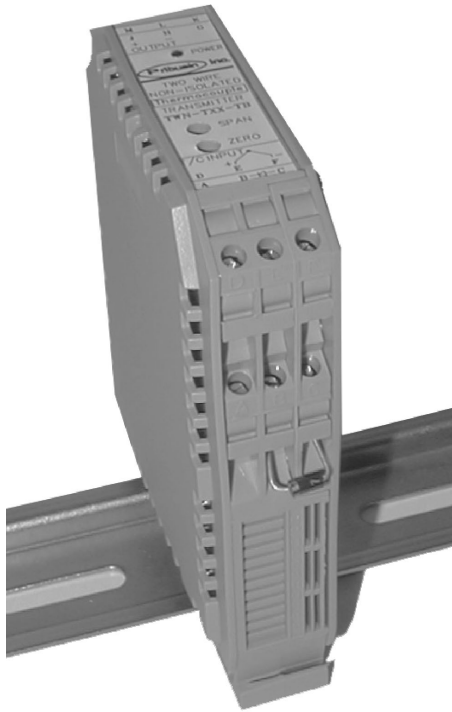


Pribusin Inc.

Manufacturers of Process
Controls and Instrumentation

Model: TWN-SLX-TB

Two Wire Non-Isolated Slidewire Transmitter



Standard features:

Small Size - Fits on Terminal Block Rail
Industry Standard 4-20 mA Output
Standard Ranges for Common Slidewires
Special Ranges Available
Wide Operating Range (8 to 60 VDC)
High Noise Rejection
CSA and NRTL Approved (LR 51078)

Function:

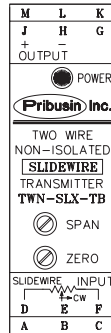
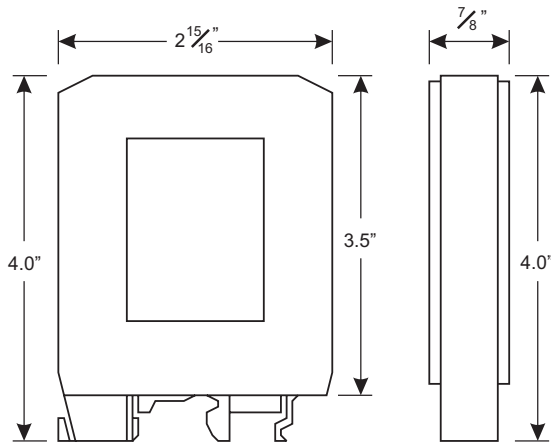
The TWN-SLX-TB is a non-isolated two wire Slidewire transmitter in a small, easy to install package. It has a universal DIN mount which makes it ideal for installation into crowded control panels. The many different input ranges allow it to be used in a great variety of position measurement applications.

Specifications:

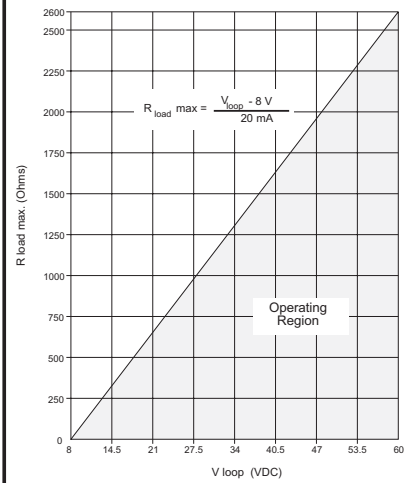
Output: 4-20 mA
Operating Power: 8 to 60 VDC
Accuracy/Linearity: +/-0.25% max., +/- 0.1% typ
Response Time: 100 msec to 63% of final value
400 msec to 99% of final value
Temperature Effects: +/- 0.025% per Deg.C.
Span Drift: +/-0.025% per Deg.C.
Zero Drift: 1 milliohm per 1 ohm offset per Deg.C. or
1 milliohm per Deg.C. whichever is larger
Line Effects: 0.03% per 10 VDC Line Change
Operating Temperature: -20 Deg. C. to + 40 Deg. C.

TWN-SLX-TB

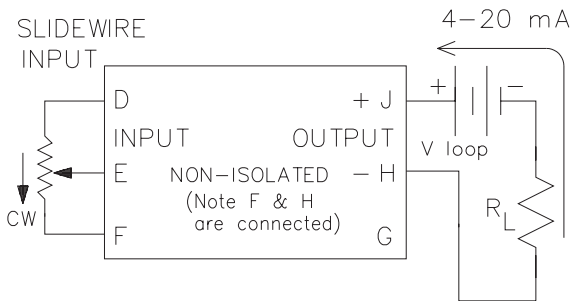
Dimensions:



Loop Characteristics:



Connection:



Model Designation:

TWN-SLX-TB

Input

- 1: 100 Ohms
- 2: 500 Ohms
- 3: 1K Ohms
- 4: 2K Ohms
- 5: 5K Ohms
- 6: 10K Ohms
- 7: Special (must specify on order)

Example: Non-Isolated Slidewire transmitter for 1K Ohm Slidewire is designated by: TWN-SL3-TB

Manufactured By:

Pribusin Inc.

www.pribusin.com
info@pribusin.com

USA:

Pribusin Inc.
4319 E. Apple Ave.
Muskegon, MI 49442
Ph: (231) 788-2900
Fx: (231) 788-2929



CANADA:

Pribusin Inc.
101 Freshway Dr. Unit 57
Concord, Ontario, L4K 1R9
Ph: (905) 660-5336
Fx: (905) 660-4068